

Presentation Requests

If you would like to present your company profile or if you have a specific topic that you would like us to consider for the 2014 fall meeting please e-mail us @

3riversprug@gmail.com

5 Surprising 2014 Worldwide CAD Trends

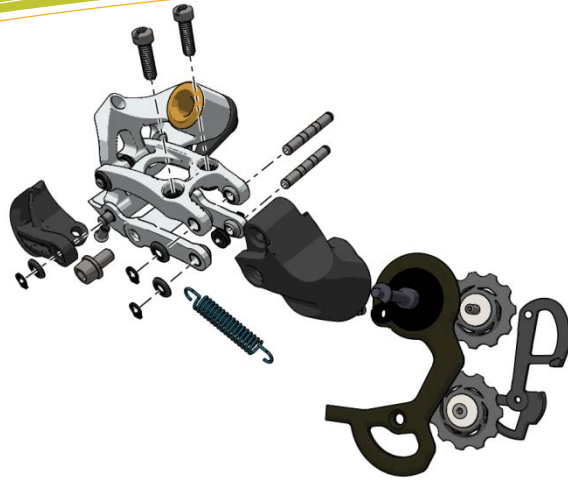
<http://www.3dcadworld.com/taking-look-2014-worldwide-cad-trends/>

The Three Rivers Pro/USER Group Board of Directors.

- Eric Holmes, Philips Inc.
- Jaime Clarke, Philips Inc.
- Tom Oshinsky, XPLM Solutions
- Mike Kline, ALM Machine

Please contact us at:

3riversprug@gmail.com



this issue

Location, Agenda P.1

Registration Information P.2

Directions P.2

Holiday Inn, Monroeville PA

Located near the intersection of Routes 22 and 48 (behind Max and Erma's)

April 8th, 2014 Agenda

7:15 - 7:45	Coffee & Danish, Networking
7:45 - 8:00	Welcome and Issues – Eric Holmes, Philips / Respironics
8:00 - 8:45	Flexible Modeling: Non-Native CAD Design Changes, Analysis – PTC
8:45 - 9:30	Boundary Blends, Sweeps, Swept Blends – BWIR
9:30 - 10:15	Surface Modeling: Creo Freestyle (Free) vs. ISDX – EAC
10:15 - 10:30	Break, Networking, Vendor Booths
10:30 - 11:15	Windchill, Document Management – PTC
11:15 - 12:00	Get Data: Copy Geometry, Shrinkwrap, Merge/Inheritance - BWIR
12:00 - 1:00	Lunch
1:00 - 1:45	Configuration Options: Family Tables, Simplified Reps, Mechanisms – EAC
1:45 - 2:00	Break, Networking, Vendor Booths
2:00 - 2:45	Surfacing /Plastic Part Design /Mold Simulation - Concept2Production
2:45 - 3:30	Creo Tips and Tricks – PTC

Please visit our Sponsoring Companies @

Barry-Wehmiller International Resources: <http://www.bwir.com>

Concept2Production: <http://www.concept2production.net>

EAC Product Development Solutions: <http://www.eacpds.com/>

Syntel Incorporated: <http://www.syntelinc.com>

Meeting Registration Form



Company Name: _____

Total Attendees: (x \$40.00) _____

Please send check or money order payable to:

Three Rivers Pro User Group

For \$40.00 per person to the address below no later than

Tuesday April 1st, 2014

Mail to

THREE RIVERS Pro/USERS GROUP

c/o Jaime Clarke

365 Plum Industrial Court

Plum PA, 15239

We are pleased to announce a new payment option through PayPal™

**We can now process credit card transactions at the door using the
Paypal PayHere service.**

Payments are done through a secure mobile connection for an additional
2.7% charge. A \$40 registration fee would be \$41.08. Receipts will be issued.

<https://www.paypal.com/webapps/mpp/credit-card-reader>

Attendee Names

(please print)

**ALL NAMES WILL BE
KEPT CONFIDENTIAL**

To pay by Credit Card:

Please send an e-mail to: 3riversprorug@gmail.com with your contact information: **Company Name, Telephone number, Attendee names** and we will forward an invoice that will allow you to process your payment via PayPal.

DO NOT forward credit card information. Three Rivers Pro/User Group is not responsible for processing credit payments

Directions to Holiday Inn, Monroeville PA

From PA Turnpike I-76: (North West – South East)

Take the **I-76** (PA Turnpike) towards **Pittsburgh**, Take exit **57** for **US-22 W** toward **Pittsburgh**, Follow signs for **U.S. 22 Business/Monroeville** and merge onto **US-22 BUS W**, Turn **left** onto **Mossie Blvd**, Turn **left** onto **Holiday Lane**

From Airport: (Moon)

Rt. 60 to Pittsburgh. Merge onto **Rt 22/30 (Rt changes to 279N)**. Go through tunnel and exit to the right for **I-376E (exit 6A)**. On **I-376E**, take exit **84A**. Merge onto **Mossie Blvd** and stay straight thru first light. Turn left at next light onto **Holiday Lane**.

If your location is not listed above please check the facility website or use your GPS.

Holiday Inn Monroeville, 2753-2799 Holiday Lane, Monroeville, PA 15146 Phone: 412-372-1002 | Fax: 412-373-4065

<http://www.holidayinn.com/hotels/us/en/monroeville/mnrpa/hoteldetail>