

PTC® Live Global

PTC 324 - Task and Role-based PLM Apps

Michael Rygol & Chris Bergquist
Solution Management, PLM Segment, PTC

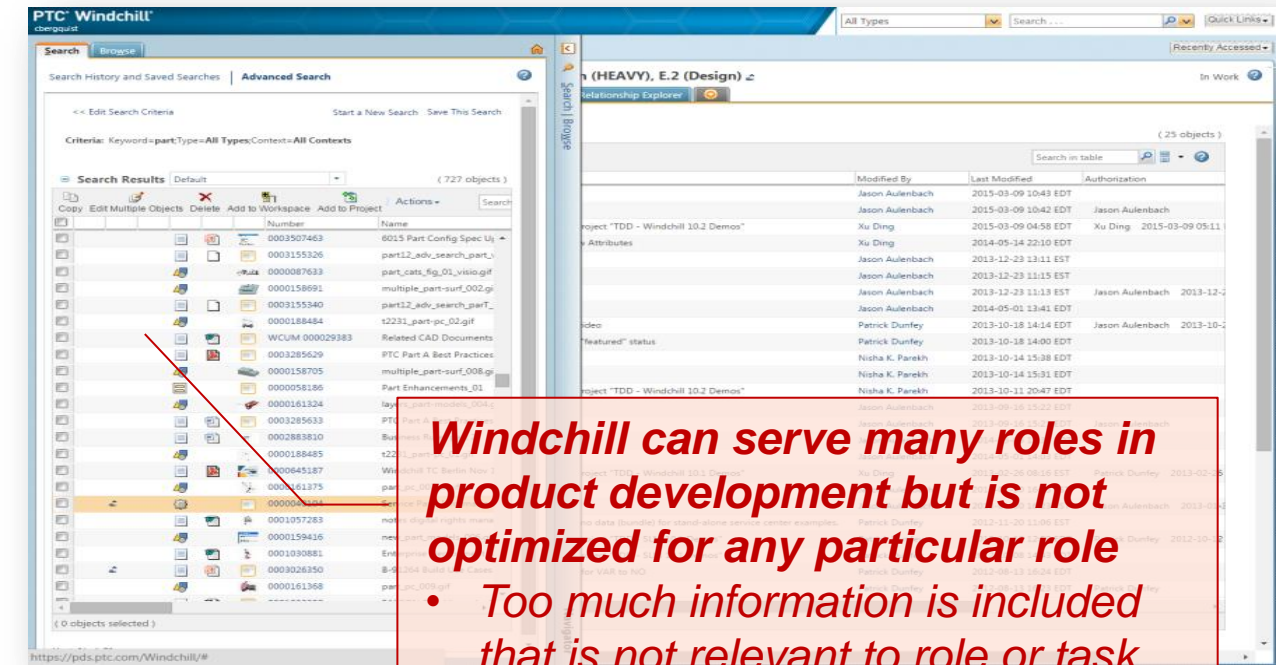
June 10th, 2015



Customer Challenges

Effectively Serving Broad Product Development Community

- ✓ ERP and PLM application interfaces are often too complex for use by a broad number of roles in product development
- ✓ They require too much training to learn to use
- ✓ Even with training, infrequent users quickly forget how to use the application
- ✓ A single application often does not include all the information needed to complete a task
- ✓ The applications can be tailored but it is usually costly to create and to maintain the customizations and customizations only work with specific versions of each application



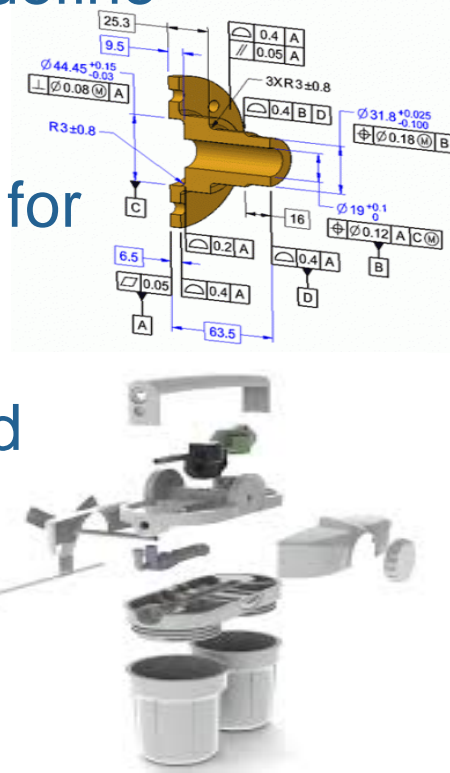
Windchill can serve many roles in product development but is not optimized for any particular role

- Too much information is included that is not relevant to role or task
- Too many actions are exposed that confuse user and potentially lead to errors
- Too much navigation is required to get to needed information for role or for task

Typical tasks performed by roles in design, manufacturing, purchasing...

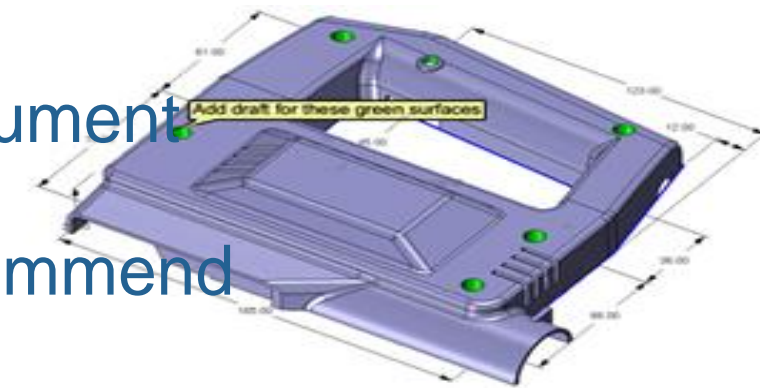
Consume

- ✓ Get drawing with dimensions to define tooling or process plan
- ✓ Get IGES file to send to supplier for quote
- ✓ See exploded view to understand what parts are used and what quantities for assembly planning
- ✓ Get basic properties (quantity in stock, in production, cost, supplier) for change impact
- ✓ See recent changes to part to address manufacturing issues



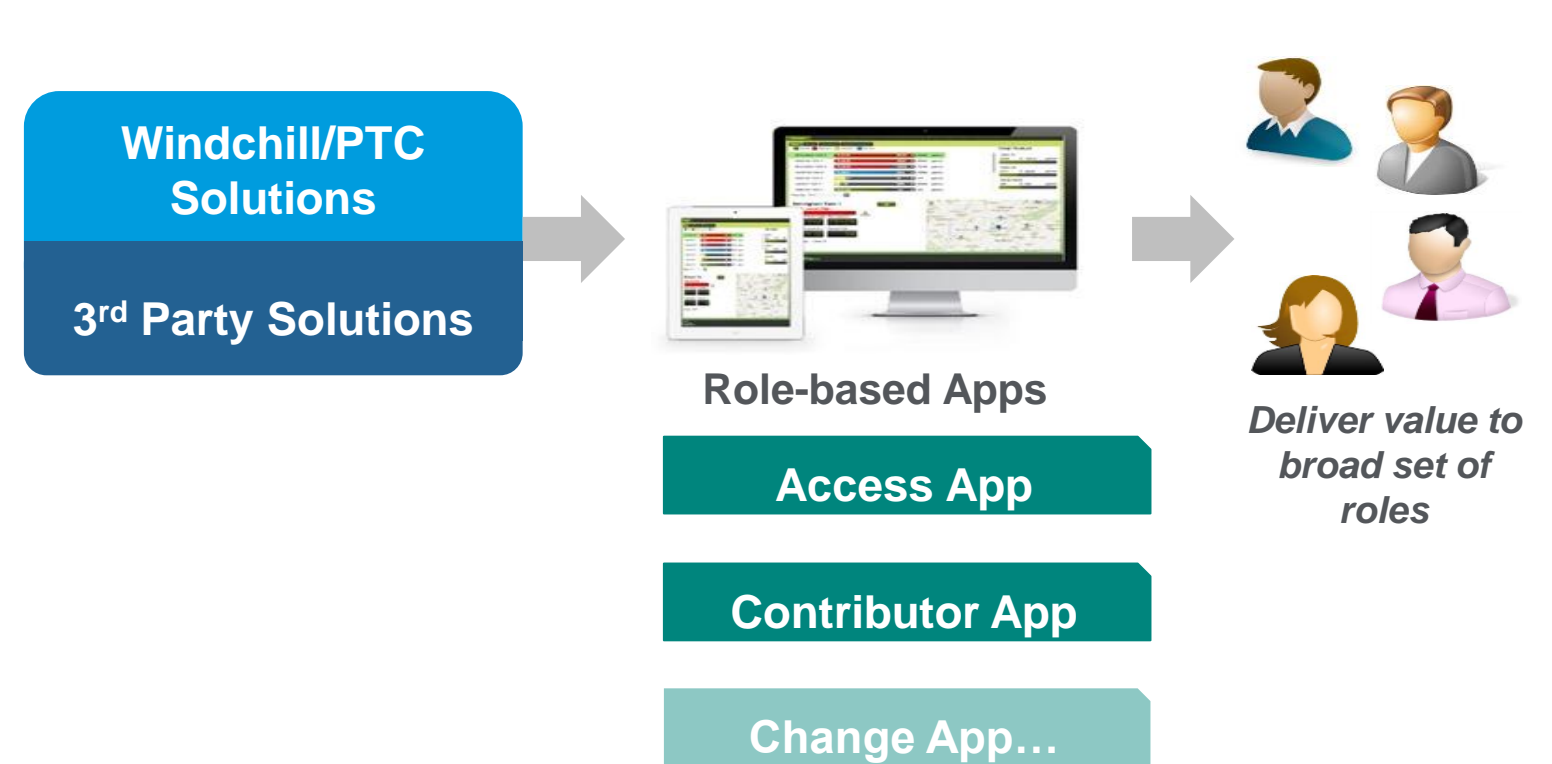
Contribute

- ✓ Review and approve change order
- ✓ View aggregated list of tasks
- ✓ Attach specification or other document to item
- ✓ Edit requirements document
- ✓ Mark up model to recommend change
- ✓ Create problem report or non-conformance



What if you could quickly build role-specific or task based apps that...

- ✓ Are simple to use requiring no training for quick adoption
- ✓ Support mobile/touch and desktop device delivery
- ✓ Require no system upgrades to use
- ✓ Easily bring together information from Windchill and other PTC and 3rd party solutions
- ✓ Are easily and quickly tailored/extended for changing role or task-based needs





6289



View 3-D Section Exploded



6289267

6289427

6289529

6289427

Last modified: 12/20/2014

Last modified by: Jim Smith

Property Summary

Detailed Assembly Version C.4 Released

Cost: \$52.36

Quantity In Stock: 507

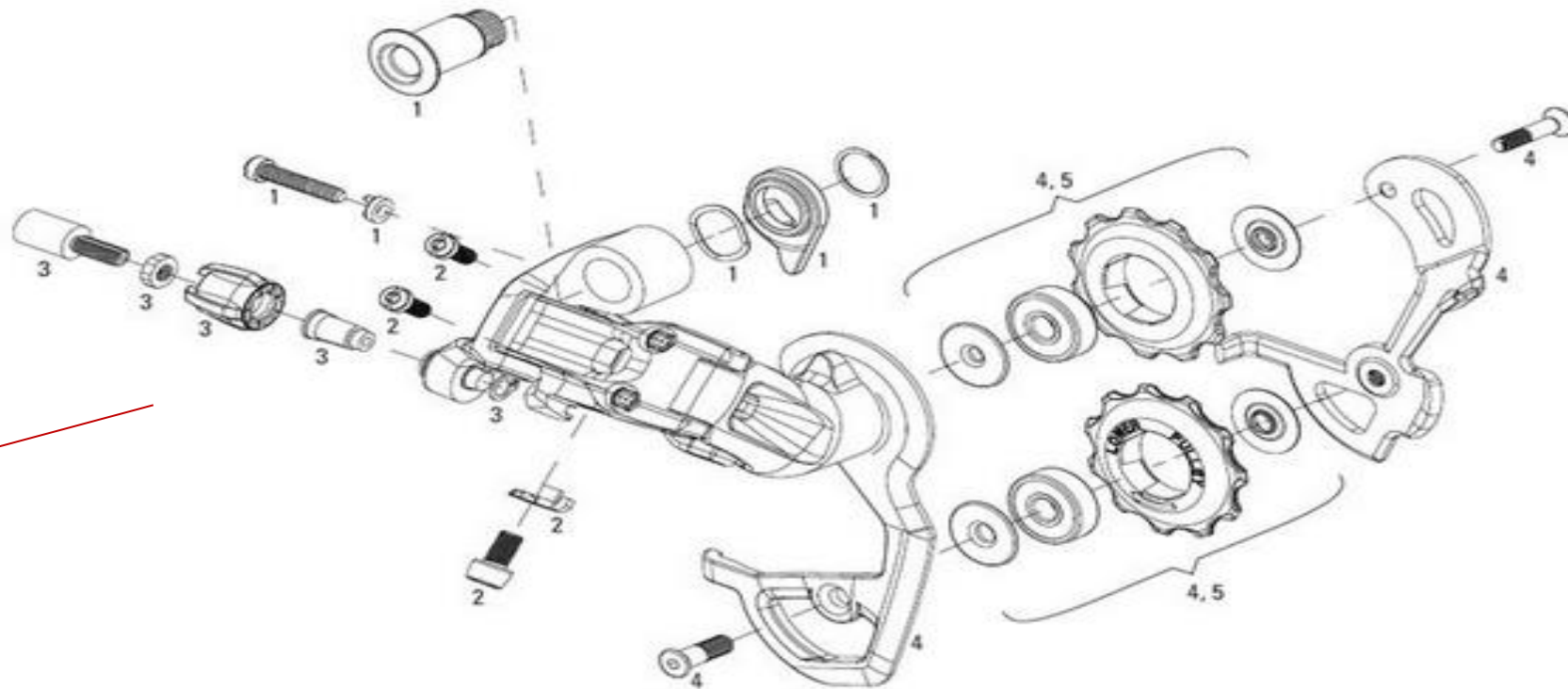
Manufacturer: SRAM

} *Attributes aggregated from ERP, or SCM system*

Formats



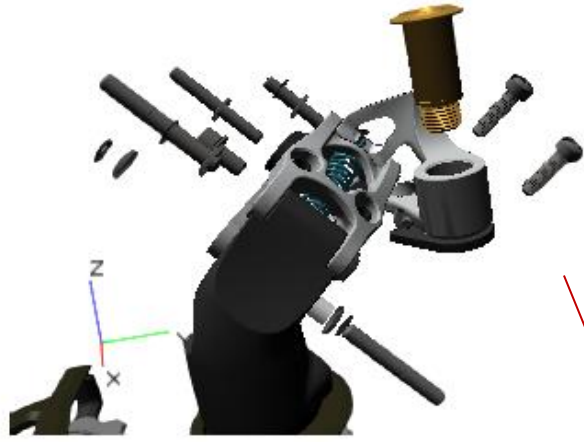
Selected format is displayed when selected or displayed automatically if it is the only format for the role






Michael Rygol

☰🔊
📊

View 3-D Section Exploded



Formats

Property Summary

6289427 Derailleur Assembly Version C.4 Released

Last modified: 12/20/2014 Cost: \$52.36
 Last modified by: Jim Smith Quantity In Stock: 507
 Manufacturer: SRAM

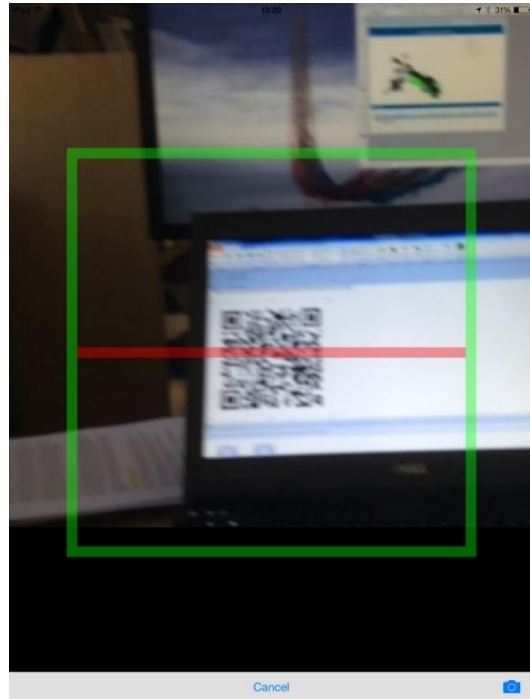
Parts List

Part Number	Description	Quantity	Unit	Lot Size	In Stock	Unit Cost	Vendor
5648291	B-Knuckle	1	ea	400	1,200	1.07	SRAM
5622654	Outerlink	1	ea	400	1,200	1.02	SRAM
5613205	Pivot Pin	4	ea	400	1,600	.28	Acme
5475310	P-Knuckle	2	ea	200	800	.79	SRAM
5920783	Main axle	1	ea	600	1,200	.22	Han
5951726	Fin	1	ea	200	1000	.23	SRAM
5639464	Seal	8	ea	1,000	10,000	.14	Han
5796453	O-ring	8	ea	1,000	8,000	.08	Han
5688517	External Retaining Ring	8	ea	1,000	6,000	.07	Han
5688517	Outer Cage	1	ea	400	650	.96	SRAM
5688517	Inner Cage	1	ea	400	625	.98	SRAM
5688517	Pulley	2	ea	400	1,350	.91	SRAM
5688517	Spring	1	ea	600	923	.62	Leroy

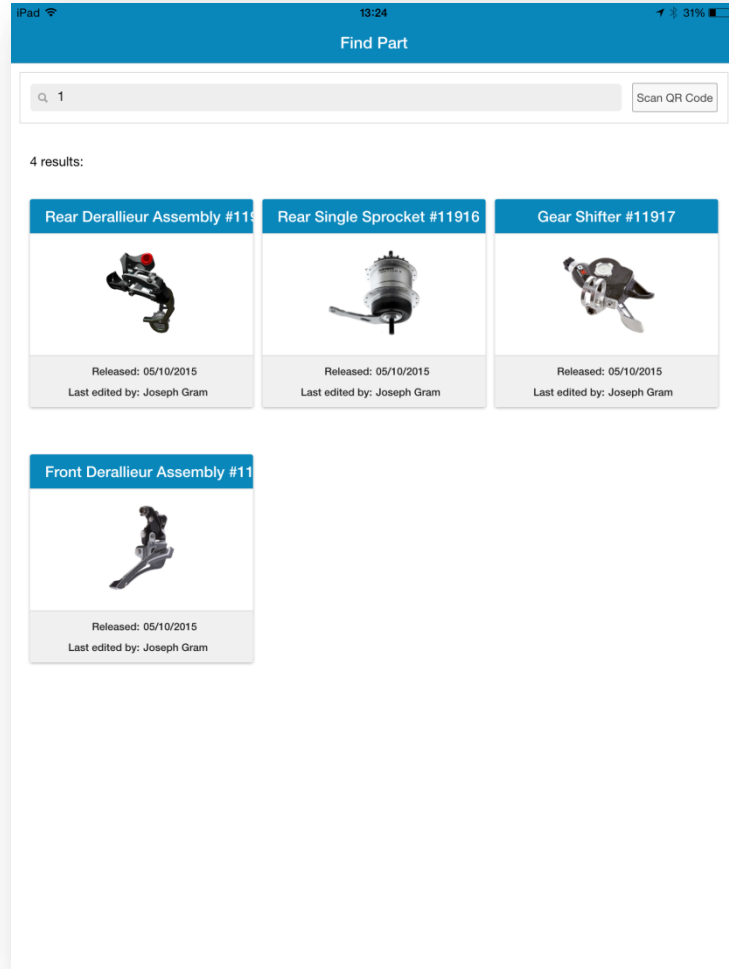
When exploded view is selected, parts list for exploded assembly is automatically displayed

Exploded view and parts list are associated. Selected item in view is highlighted in parts list and vice-versa.

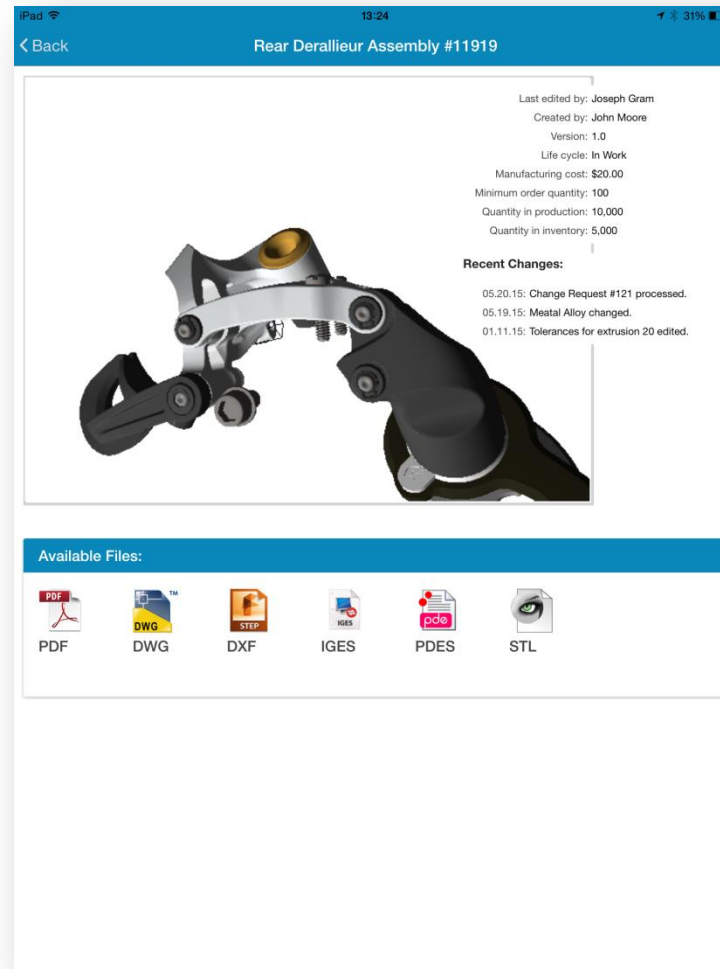
Parts list includes columns with information from ERP other systems that are important for role or task



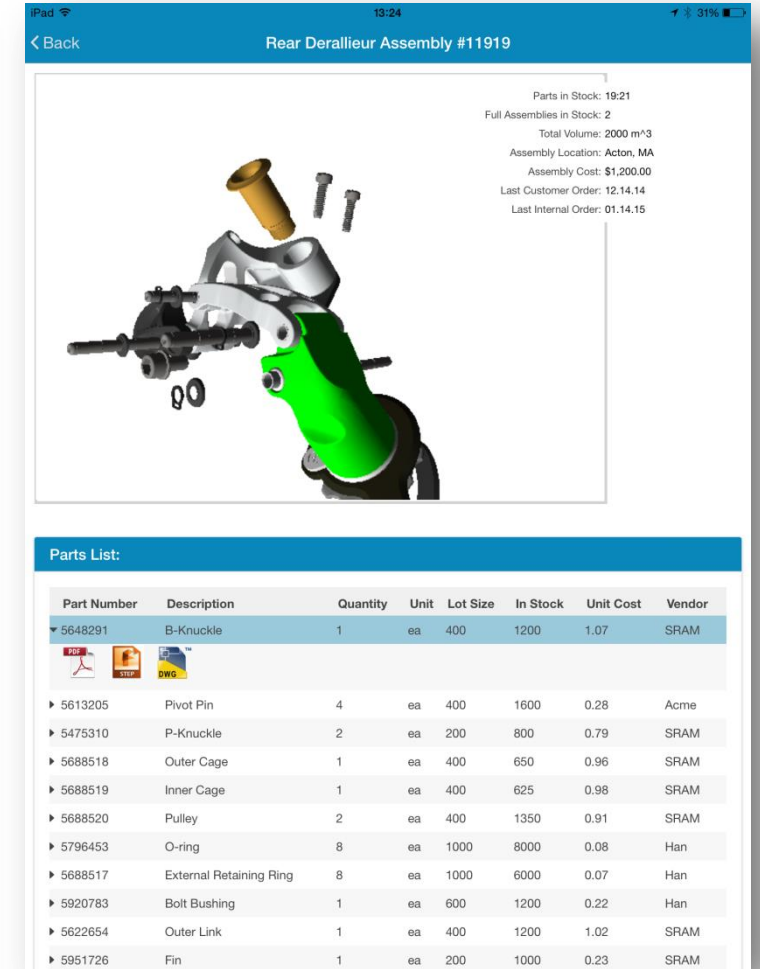
Scan QR code...



...or Search



Product properties, 3D and related documents



Exploded view, interactive parts list and related documents

Demonstration

☰

🔍

🎤

📊

Task Summary		Task – Review Change Markup Due: 3/20/2015 Customer: Turing GS #2850023	
Overdue	3	Too much force is required to insert subassembly. Reduce diameter as noted in markup.	<input type="button" value="Accept"/> <input type="button" value="Rework"/>
Due this week	10		
Completed recently	2		

Recent

- 📄 Power System Requirements
- 📄 Power System Specification
- 📊 Load Analysis
- 📄 ECN – 201483 Cost Reduce
- 📄 Check Supplier Lead
- 📄 Linear motor calibration
- 📄 M264-2X Assembly Drawing

Aggregate task list with tasks across product development systems

Aggregate list of recently accessed or modified items

PTC Contributor App

Easily link documents/information to BOM items

Task Summary

Overdue	3
Due this week	10
Completed recently	2

Recent

- Power System Requirements
- Power System Specification
- Load Analysis
- ECN – 201483 Cost Reduce
- Check Supplier Lead
- Linear motor calibration
- M264-2X Assembly Drawing

Product Structure – 6289427

- EXTERNAL_RETAINING_RING.PRT
- RIVET.PRT
- BOLT_WITH_WASHER.PRT
- THREAD_LOCK.PRT
- SCREW_20MM.PRT
- SCREW_13_4MM.PRT
- SCREW_13_4MM.PRT
- PLUG.PRT
- PLUG.PRT
- SPRING_BUSHING.PRT
- SPRING_BUSHING.PRT
- SHORT_CAGE.ASM
 - OUTER_CAGE_INSERT.ASM
 - OUTER_CAGE.PRT
 - P-WASHER.PRT
 - CAGE_SHAFT.PRT
 - INNER_CAGE.PRT
 - SCREW.PRT
 - PULLEY_SHIM.PRT
 - PULLEY_SHIM.PRT
 - PULLEY_SHIM.PRT
 - PULLEY_SHIM.PRT
- UPPER_PULLEY_ASSEMBLY.ASM
 - UPPER_PULLEY.PRT
 - UPPER_PULLEY_BEARING.PRT
- PULLEY_BOLT_A.PRT
- PULLEY_BOLT_B.PRT
- UPPER_PULLEY_ASSEMBLY.ASM
 - UPPER_PULLEY.PRT
 - UPPER_PULLEY_BEARING.PRT
- SPRING_DERAILLEUR.PRT

Easily attach documents from desktop or external system to structure elements by drag and drop or copy and paste

Pump Requirements

Pump Requirements

Pump Requirements

Filter

Expand value of BOM by associating information with the BOM elements with which it is most properly linked

App Tailor

Michael Rygol

Log Out

Production Product Info App

Components

- Properties
- Formats
- Visualization
- Recent
- Related
- Search
- Subscribe
- Where-Used

Roles

- Assembly
- Tooling
- Process planning
- Purchasing
- Project Manager
- Prototyping

2
Drag and drop components

3
Configure components

1
Identify Roles

Component Setup

Formats

- PDF
- DXF
- IGES
- PDES
- STEP

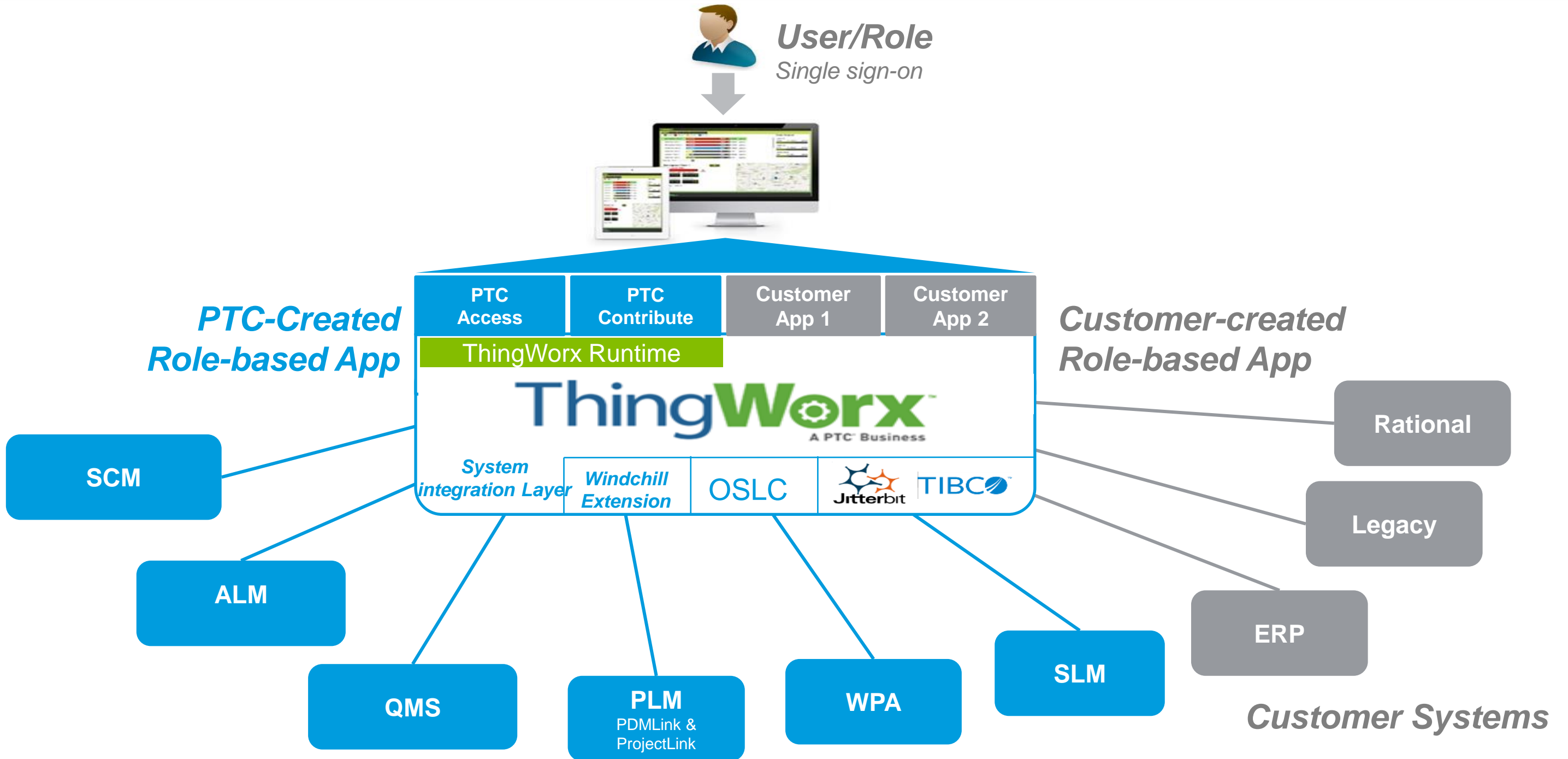
STL

Generation

- Pre-published
- On-demand

Orientation

- Horizontal
- Vertical



- **Role and task-based apps aim to provide**
 - A value-based pricing model for large communities of new Windchill users
 - A streamlined and targeted user experience with minimal training requirements
 - A platform-portable set of capabilities
 - Immediate integration with your current version on Windchill
 - An enterprise-wide window into your products
 - With expansion to present data from non-PTC systems

Helping you get more from your PLM investment

PTC[®] Live Global