



Document: New Sheet, Sheet Setup..., Move or Copy Sheets

Model Views: Projection..., Detailed..., Auxiliary..., Drawing View..., Erase view, Resume View

Format: Line Style..., Component Display..., Edge Display..., Arrows...

Insert: Import Drawing/Data, Overlay..., Object...

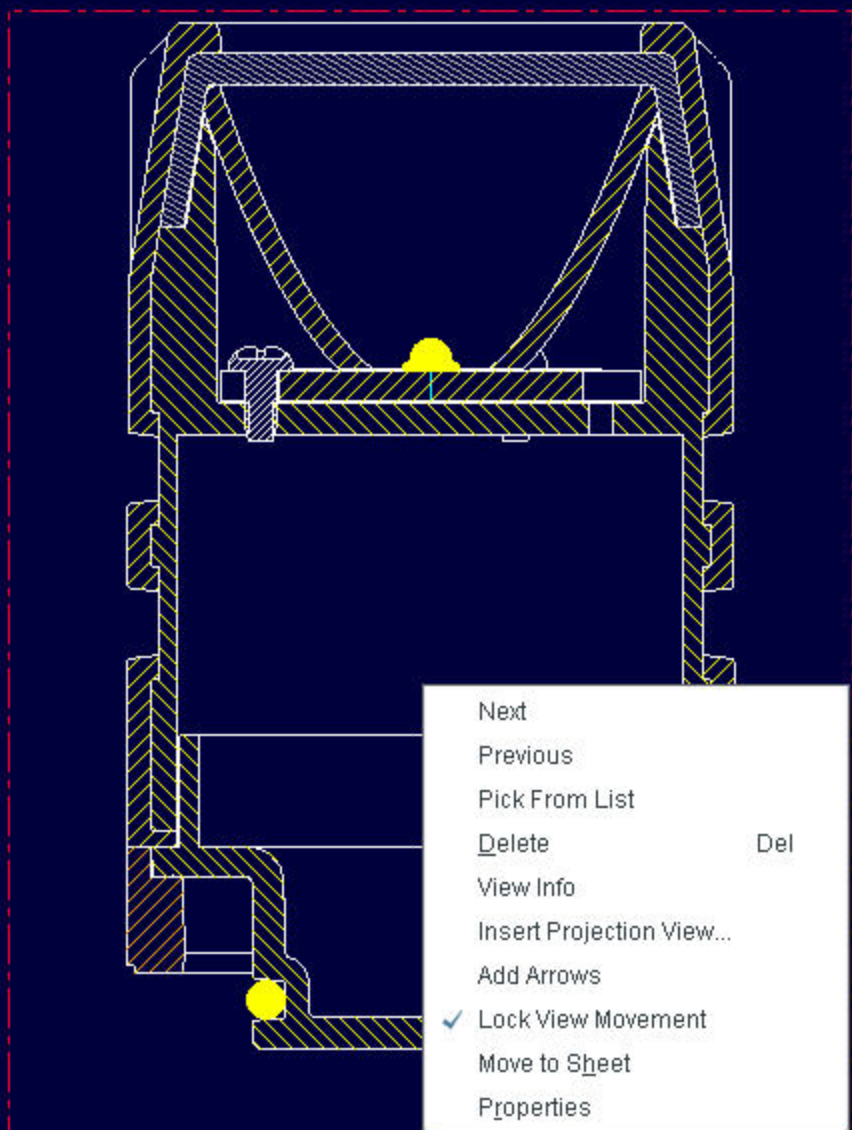
- Shaded model will be displayed
- 0917-01-000-HANDHELD has been saved.
- Shaded model will be displayed

Drawing Tree

- Sheet 1 of 0917-01-000-HANDHELD
 - new_view_1
 - left_3

Model Tree

	Fe...	Feat Name
0917-01-000-HAND		
ADTM1	1	ADTM1
ADTM2	2	ADTM2
ADTM3	3	ADTM3
AA_1	4	AA_1
AA_2	5	AA_2
AA_3	6	AA_3
ACS0	7	ACS0
0917-00-108		
0917-00-109		
0917-00-1010		
0917-00-1011		
0917-00-1012		
NVSW219A	13	
ADTM4	14	ADTM4



SECTION B-B

Table From File... Hole Table... Move to Sheet Add Column Line Display... Update Tables BOM Balloons... Wrap
Save as Table... Paginate... Add Row Merge Cells... Delete Contents Snap Line... Decir
Table Select Table... Height and Width... Unmerge Cells Repeat Region... Switch Symbols Cleanup Balloons Text Style... Repe
Table Rows & Columns Data Balloons Format

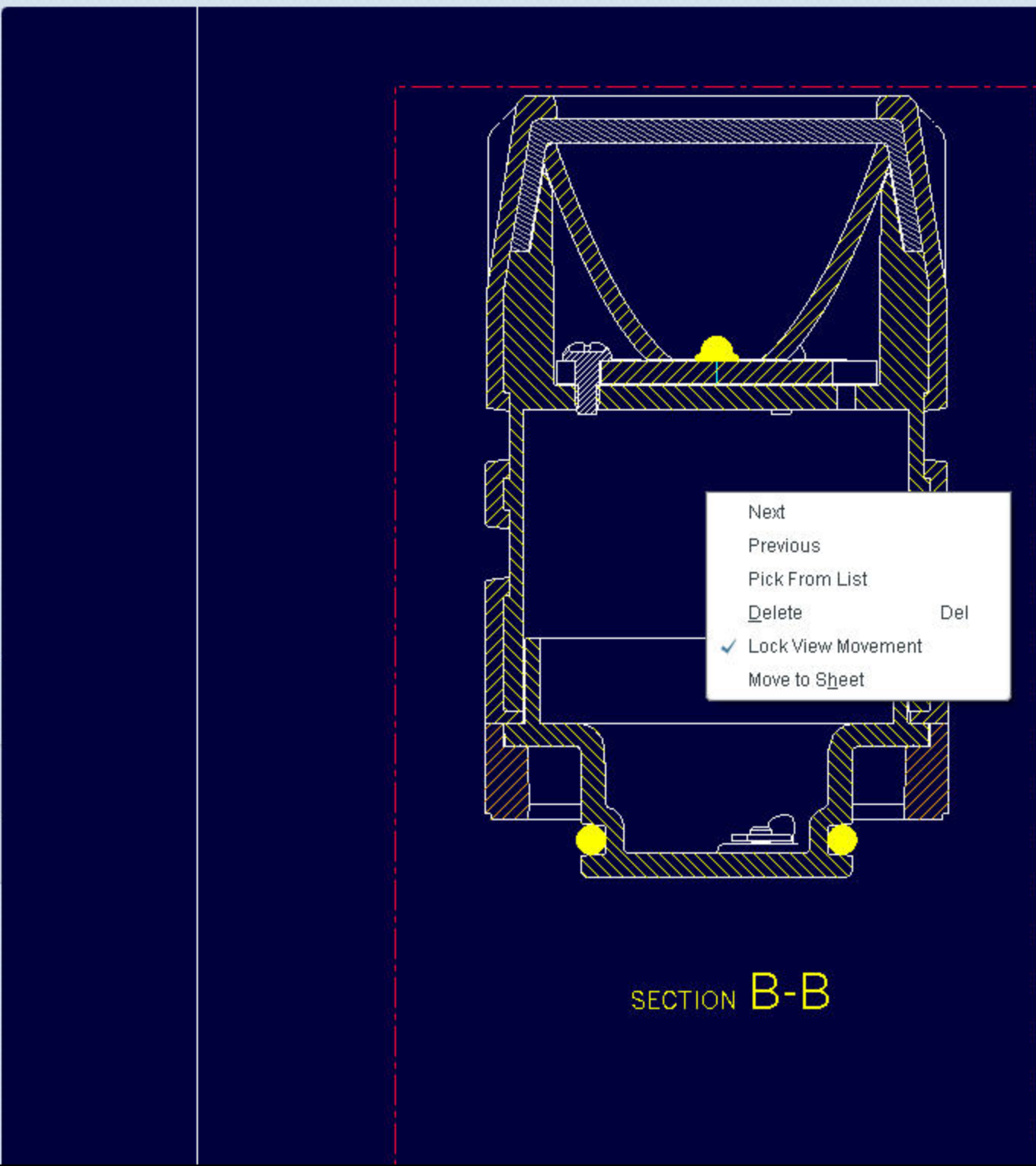
- Shaded model will be displayed
- 0917-01-000-HANDHELD has been saved.
- Shaded model will be displayed

Drawing Tree

- Sheet 1 of 0917-01-000-HANDHELD
 - new_view_1
 - left_3

Model Tree

Fe...	Feat Name
0917-01-000-HAND	
ADTM1 1	ADTM1
ADTM2 2	ADTM2
ADTM3 3	ADTM3
AA_1 4	AA_1
AA_2 5	AA_2
AA_3 6	AA_3
ACS0 7	ACS0
0917-00-108	
0917-00-109	
0917-00-1010	
0917-00-1011	
0917-00-1012	
NVSW219A.13	



Remove All Jogs
Remove All Breaks
Delete

Switch Dimensions
Decimal Places...

Show Model Annotations

Dimension - New References

Note...

Geometric Tolerance...
Balloon Note
Surface Finish...

Custom Symbol
Break...
Jog...

Align Dimensions
Attach...
Snap Line...
Cleanup Dimensions
Move to...
Move S...

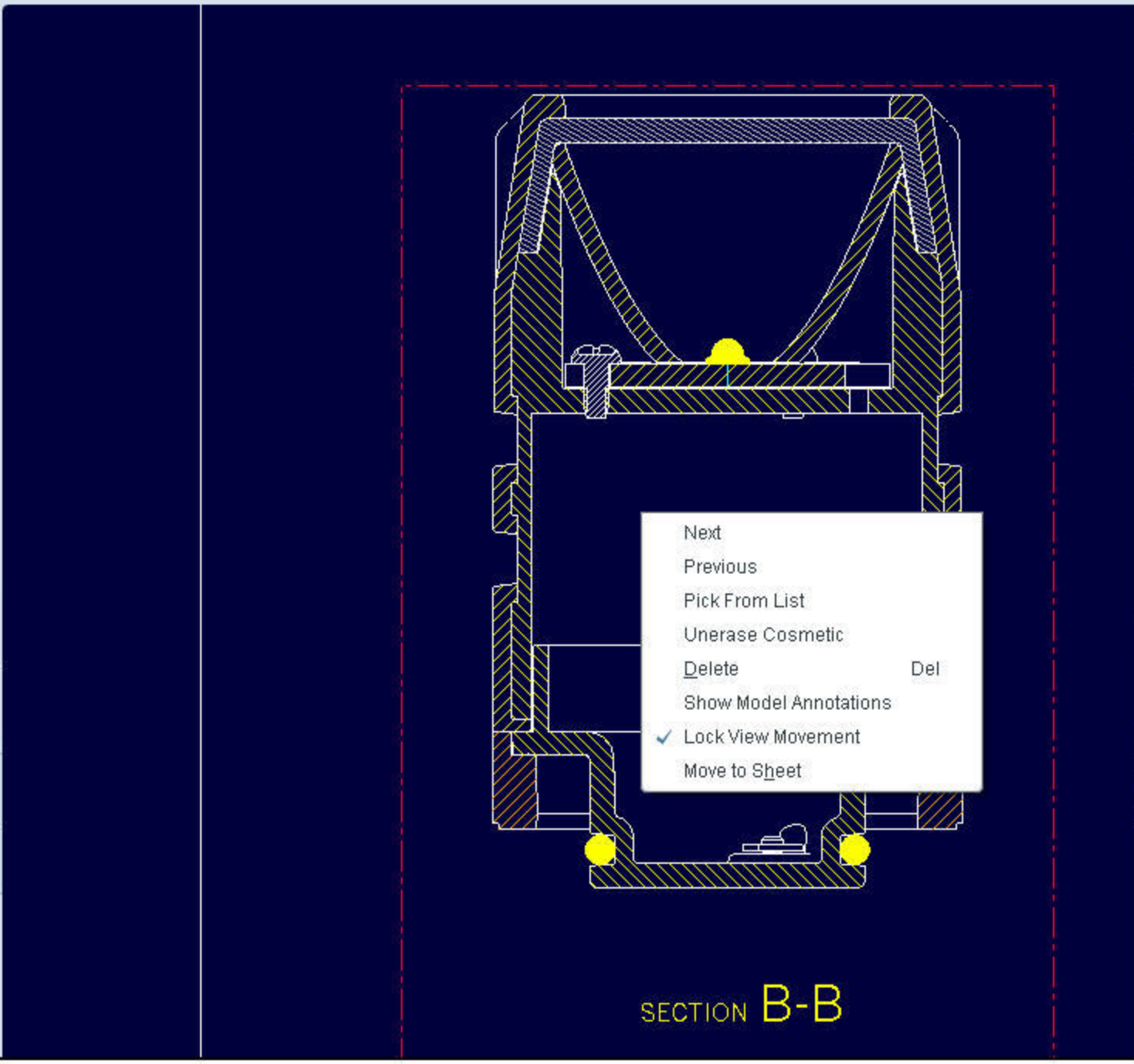
- Shaded model will be displayed
- 0917-01-000-HANDHELD has been saved.
- Shaded model will be displayed

Drawing Tree

- Sheet 1 of 0917-01-000-HANDHELD
 - new_view_1
 - Annotations
 - left_3
 - Annotations

Model Tree

Fe...	Feat Name
0917-01-000-HAND	
ADTM1	ADTM1
ADTM2	ADTM2
ADTM3	ADTM3
AA_1	AA_1
AA_2	AA_2
AA_3	AA_3
ACS0	ACS0
0917-00-10.8	



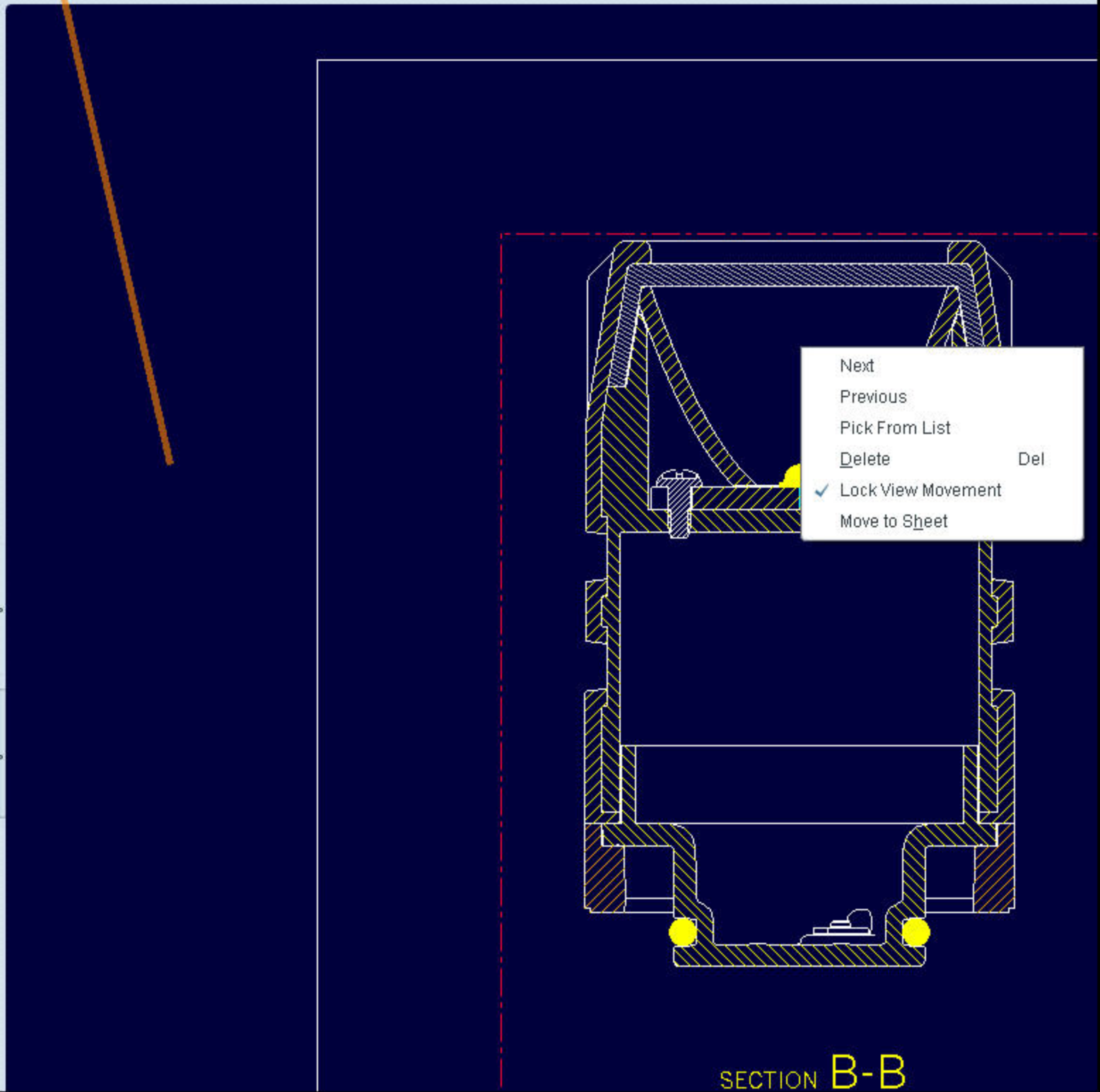
Sketch toolbar containing icons for Sketcher Preferences, Parametric Sketch, Draft, Grid, Chain, Settings, Insert, References, Absolute Coordinates, Relative Coordinates, Bound, Divide at Intersection, Corner, Stretch, Trim, Move to Sheet, Translate, Translate and Copy, Hatch/Fill, Repeat Last Format, Default Line Style, and Line Style.

- Shaded model will be displayed
- 0917-01-000-HANDHELD has been saved.
- Shaded model will be displayed

Drawing Tree showing a hierarchy of views: Sheet 1 of 0917-01-000-HANDHELD, new_view_1, and left_3.

Model Tree listing features for 0917-01-000-HAND:

Fe...	Feat Name
ADTM1	1 ADTM1
ADTM2	2 ADTM2
ADTM3	3 ADTM3
AA_1	4 AA_1
AA_2	5 AA_2
AA_3	6 AA_3
ACS0	7 ACS0
0917-00-108	
0917-00-109	
0917-00-1010	
0917-00-1011	
0917-00-1012	
NVSW219A	13



Context menu for the cross-section drawing:

- Next
- Previous
- Pick From List
- Delete Del
- Lock View Movement
- Move to Sheet

SECTION B-B



Review ribbon options:

- Check: Template Errors, ModelCHECK Interactive, ModelCHECK Regenerate
- Update: Check Display Status, Update Sheets, Update Draft, Update Tables, Regenerate Model
- Compare: Compare Sheet to Picture..., Difference Report, File History
- Query: Highlight by Attributes..., Owner
- Model Info: Drawing View..., Model, Feature..., Bill of Materials
- Measure: Measure Draft Entities..., Distance, Length, Angle

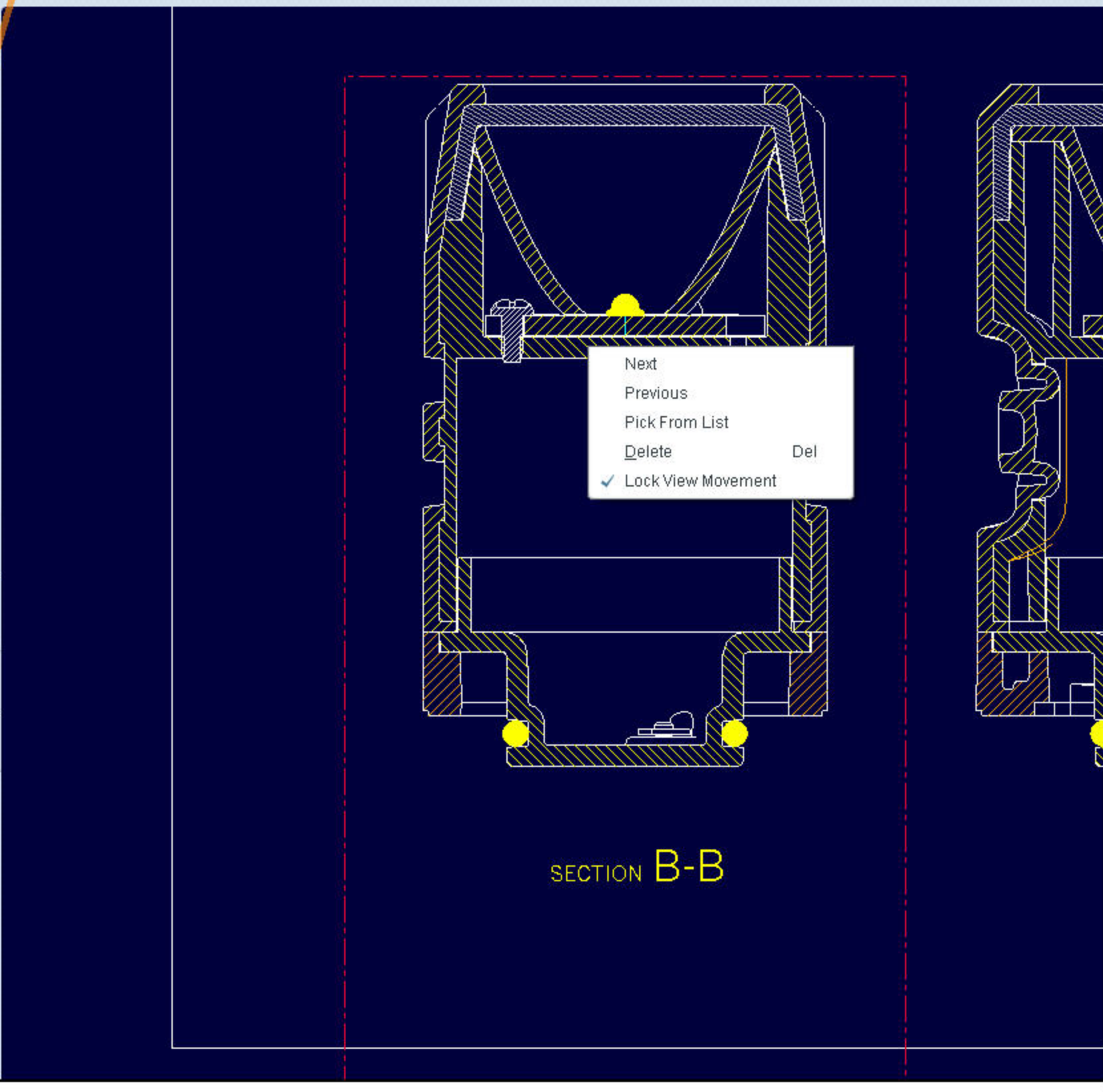
- Shaded model will be displayed
- 0917-01-000-HANDHELD has been saved.
- Shaded model will be displayed

Drawing Tree

- Sheet 1 of 0917-01-000-HANDHELD
 - new_view_1
 - left_3

Model Tree

	Fe...	Feat Name
0917-01-000-HAND		
ADTM1	1	ADTM1
ADTM2	2	ADTM2
ADTM3	3	ADTM3
AA_1	4	AA_1
AA_2	5	AA_2
AA_3	6	AA_3
ACS0	7	ACS0
+		0917-00-108
+		0917-00-109
+		0917-00-10 10
+		0917-00-10 11
+		0917-00-10 12
+		NVSW219A 13
+		ADTM4 14 ADTM4
+		0915-01-20 15
+		ADTME 16 ADTME



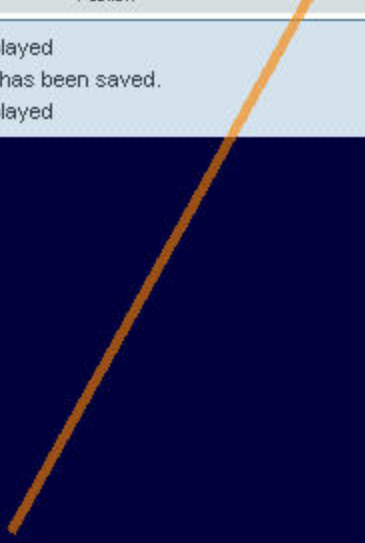


Print/Plot Medusa DWG CGM
DXF IGES Stheno TIFF
PDF STEP SET

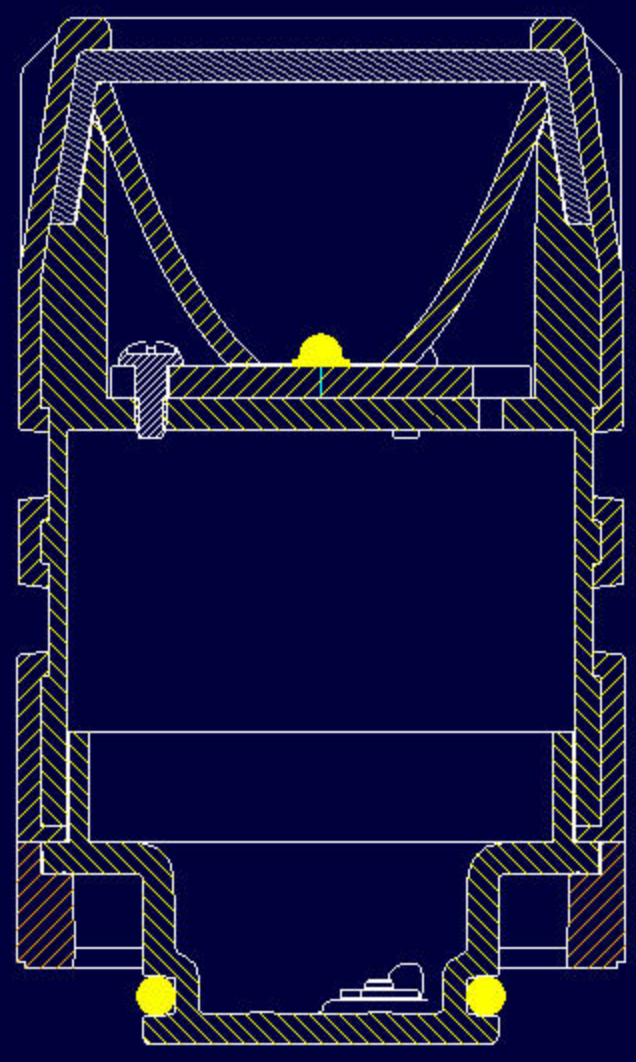
Settings Preview Export

Publish

- Shaded model will be displayed
- 0917-01-000-HANDHELD has been saved.
- Shaded model will be displayed



no RMB



SECTION B-B