



Document
Model Views
Format
Insert

- New Sheet
- Sheet Setup...
- Move or Copy Sheets
- Projection...
- Detailed...
- Auxiliary...
- Drawing View...
- Erase view
- Resume View
- Component Display...
- Edge Display...
- Arrows...
- Import Drawing/Data
- Overlay...
- Object...

- Shaded model will be displayed
- 0917-01-000-HANDHELD has been saved.
- Shaded model will be displayed

Drawing Tree

- Sheet 1 of 0917-01-000-HANDHELD
 - new_view_1
 - left_3

Model Tree

	Fe...	Feat Name
0917-01-000-HAND		
ADTM1	1	ADTM1
ADTM2	2	ADTM2
ADTM3	3	ADTM3
AA_1	4	AA_1
AA_2	5	AA_2
AA_3	6	AA_3
ACS0	7	ACS0
+	0917-00-108	
+	0917-00-109	
+	0917-00-1010	
+	0917-00-1011	
+	0917-00-1012	
+	NVSW219A-13	
+	ADTM4	ADTM4

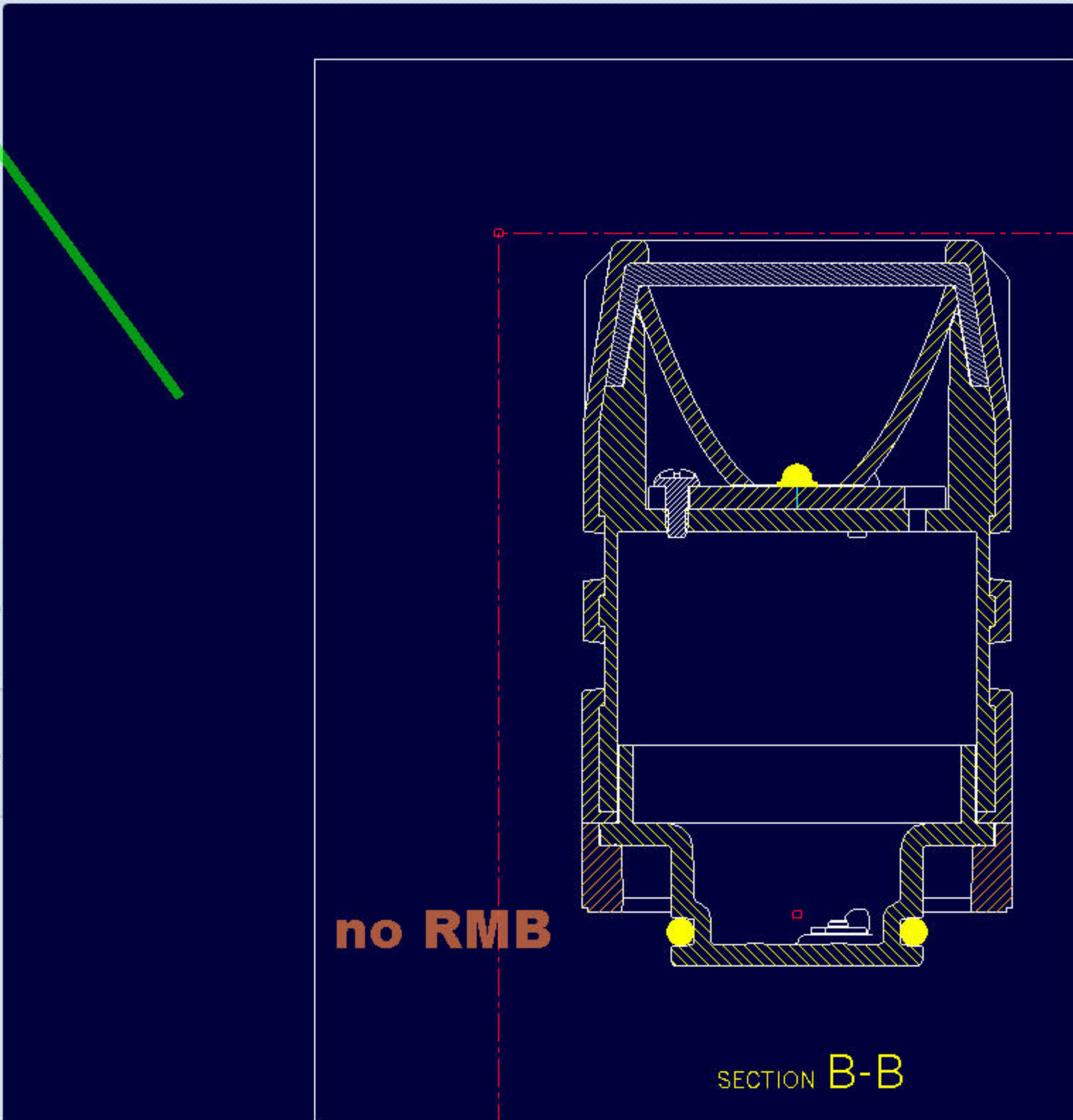




Table From File... Table

Hole Table... Move to Sheet

Save as Table... Paginate...

Select Table...

Add Column

Add Row

Height and Width...

Line Display...

Merge Cells...

Unmerge Cells

Repeat Region...

Update Tables

Delete Contents

Switch Symbols

BOM Balloons...

Snap Line...

Cleanup Balloons

Text Style...

Rows & Columns

Data

Balloons

- Shaded model will be displayed
- 0917-01-000-HANDHELD has been saved.
- Shaded model will be displayed

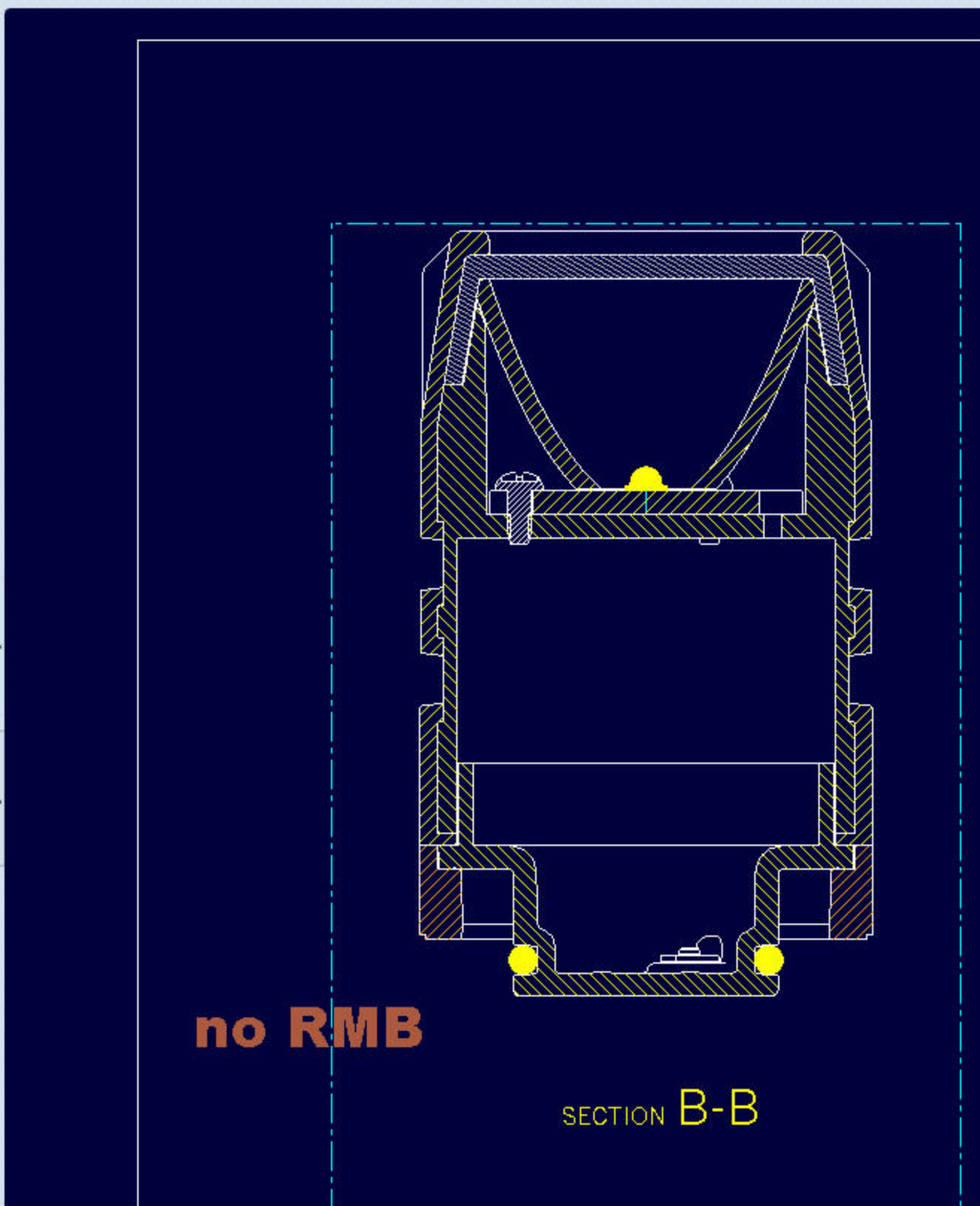
▼ Drawing Tree

Sheet 1 of 0917-01-000-HANDHELD

- new_view_1
 - left_3

▼ Model Tree

	Fe...	Feat Name
0917-01-000-HAND		
ADTM1	1	ADTM1
ADTM2	2	ADTM2
ADTM3	3	ADTM3
AA_1	4	AA_1
AA_2	5	AA_2
AA_3	6	AA_3
ACS0	7	ACS0
0917-00-108		
0917-00-109		
0917-00-1010		
0917-00-1011		
0917-00-1012		
NVSW219A	13	
ADTM4	14	ADTM4
0915-01-2015		



Layout Table **Annotate** Sketch Review Publish

Remove All Jogs Remove All Breaks Delete

Switch Dimensions Decimal Places... Parameters

Show Model Annotations Dimension - New References Note... Insert

Geometric Tolerance... Custom Symbol Balloon Note Break... Surface Finish... Jog...

Align Dimensions Attachment... Translate Snap Line... Move to View Rotate Cleanup Dimensions Move Special... Scale Arrange

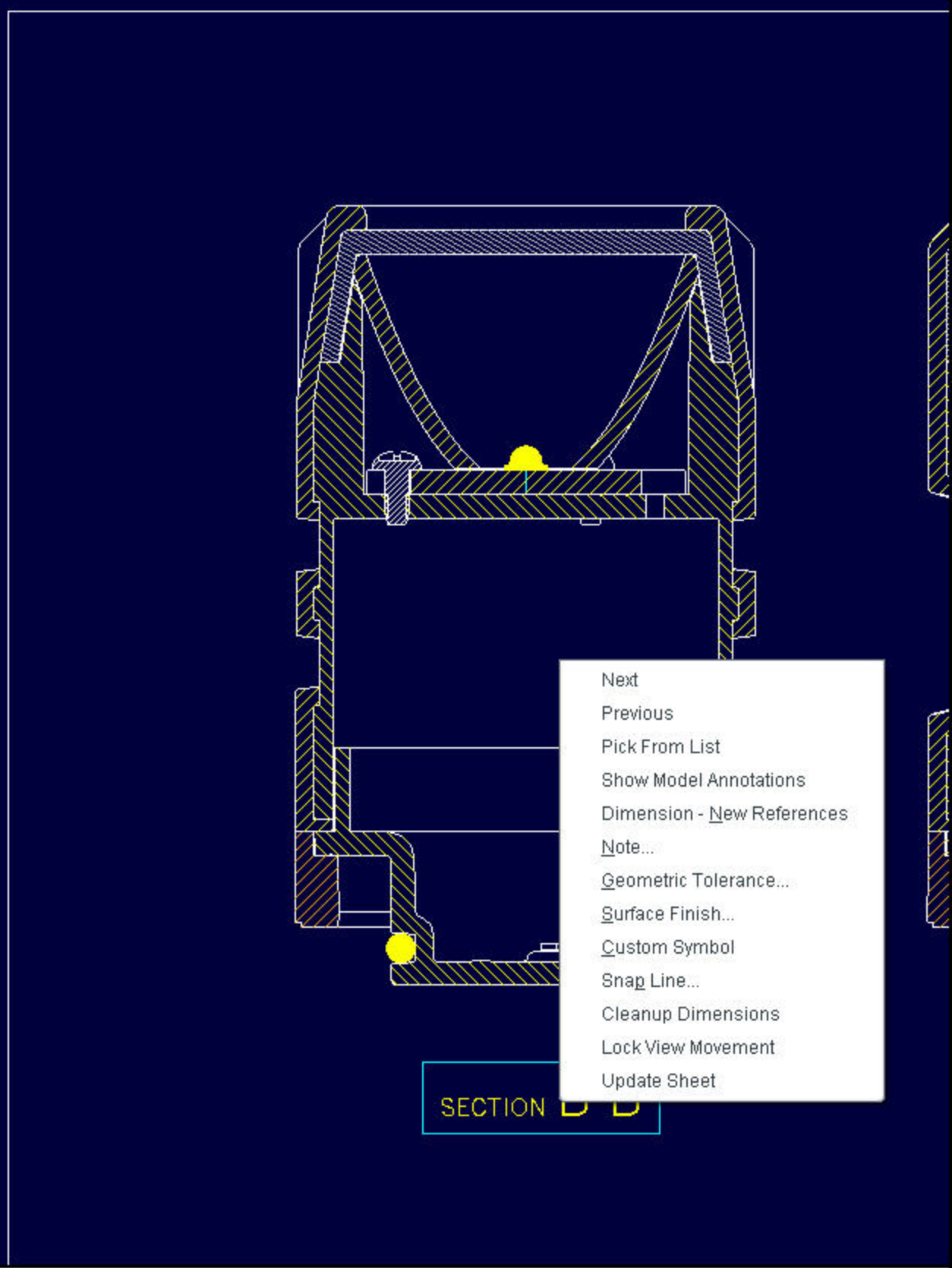
Shaded model will be displayed
0917-01-000-HANDHELD has been saved
Shaded model will be displayed

Drawing Tree

- Sheet 1 of 0917-01-000-HANDHELD
 - new_view_1
 - Annotations
 - left_3
 - Annotations

Model Tree

	Fe...	Feat Name
0917-01-000-HAND		
ADTM1	1	ADTM1
ADTM2	2	ADTM2
ADTM3	3	ADTM3
AA_1	4	AA_1
AA_2	5	AA_2
AA_3	6	AA_3
ACS0	7	ACS0
+		
0917-00-108		
0917-00-109		
0917-00-1010		
0917-00-1011		
0917-00-1012		
NVSW219A	13	
ADTM4	14	ADTM4
0915-01-2015		
ADTM5	16	ADTM5
ADTM6	17	ADTM6
+		
M2-105CR <No...		
M2-105CRE	18	



Sketcher Preferences Parametric Sketch Draft Grid... Chain Settings

References... Absolute Coordinates... Relative Coordinates... Insert

Bound Divide at Intersection Corner Stretch Trim

Move to Sheet Translate Translate and Copy Arrange

Hatch/Fill Repeat Last Format Line Style... Default Line Style... Format

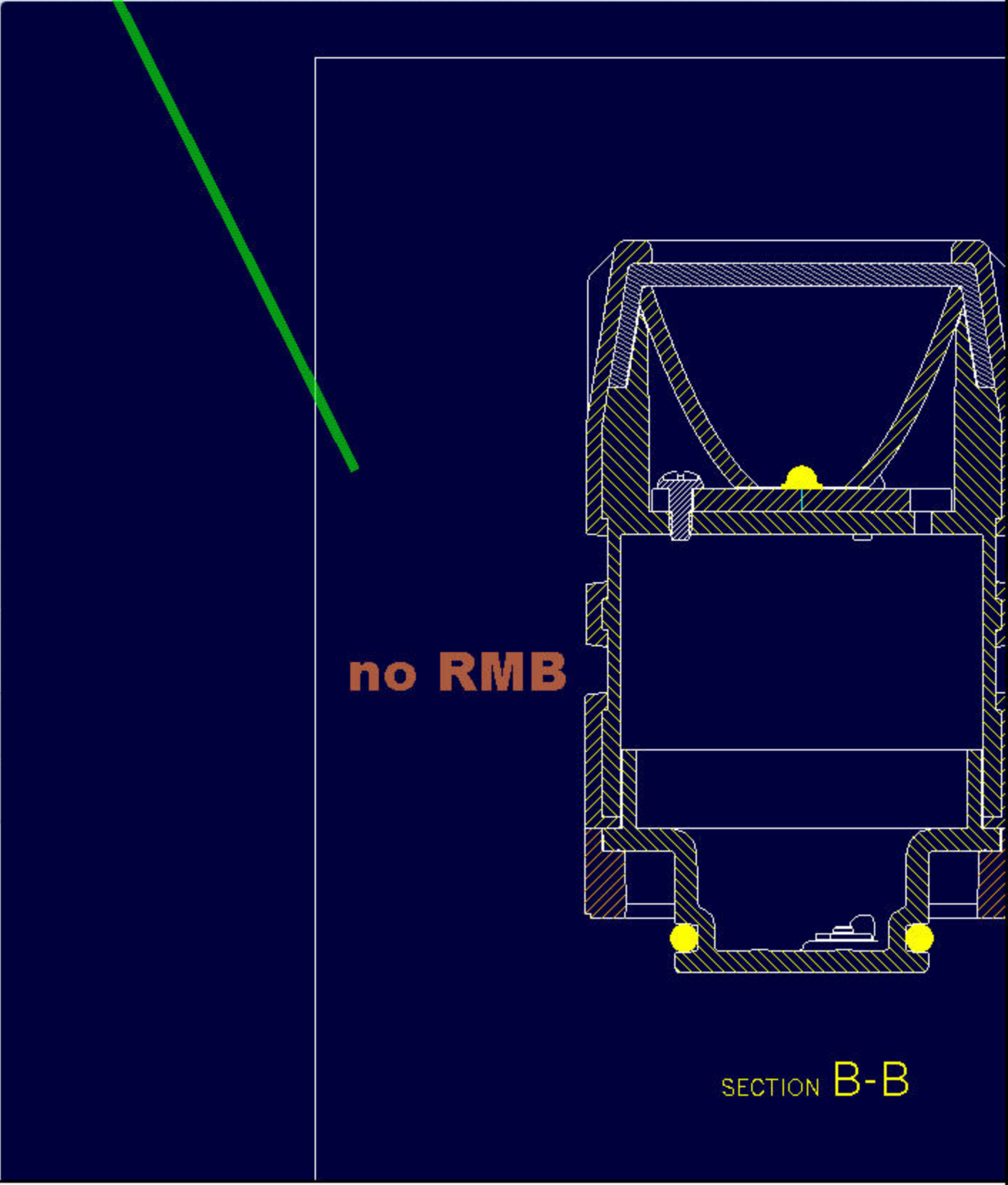
- Shaded model will be displayed
- 0917-01-000-HANDHELD has been saved.
- Shaded model will be displayed

Drawing Tree

- Sheet 1 of 0917-01-000-HANDHELD
 - new_view_1
 - left_3

Model Tree

Fe...	Feat Name
0917-01-000-HAND	
ADTM1 1	ADTM1
ADTM2 2	ADTM2
ADTM3 3	ADTM3
AA_1 4	AA_1
AA_2 5	AA_2
AA_3 6	AA_3
ACS0 7	ACS0
0917-00-108	
0917-00-109	
0917-00-1010	
0917-00-1011	
0917-00-1012	
NVSW219A-13	
ADTM4 14	ADTM4
0915-01-2015	
ADTM5 16	ADTM5
ADTM6 17	ADTM6





Review ribbon options:

- Check: Template Errors, ModelCHECK Interactive, ModelCHECK Regenerate
- Update: Check Display Status, Update Sheets, Update Draft, Update Tables, Regenerate Model
- Compare: Compare Sheet to Picture..., Difference Report, File History
- Query: Highlight by Attributes..., Draft Entity..., Owner
- Model Info: Model, Feature..., Bill of Materials
- Measure: Measure Draft Entities...

- Shaded model will be displayed
- 0917-01-000-HANDHELD has been saved.
- Shaded model will be displayed

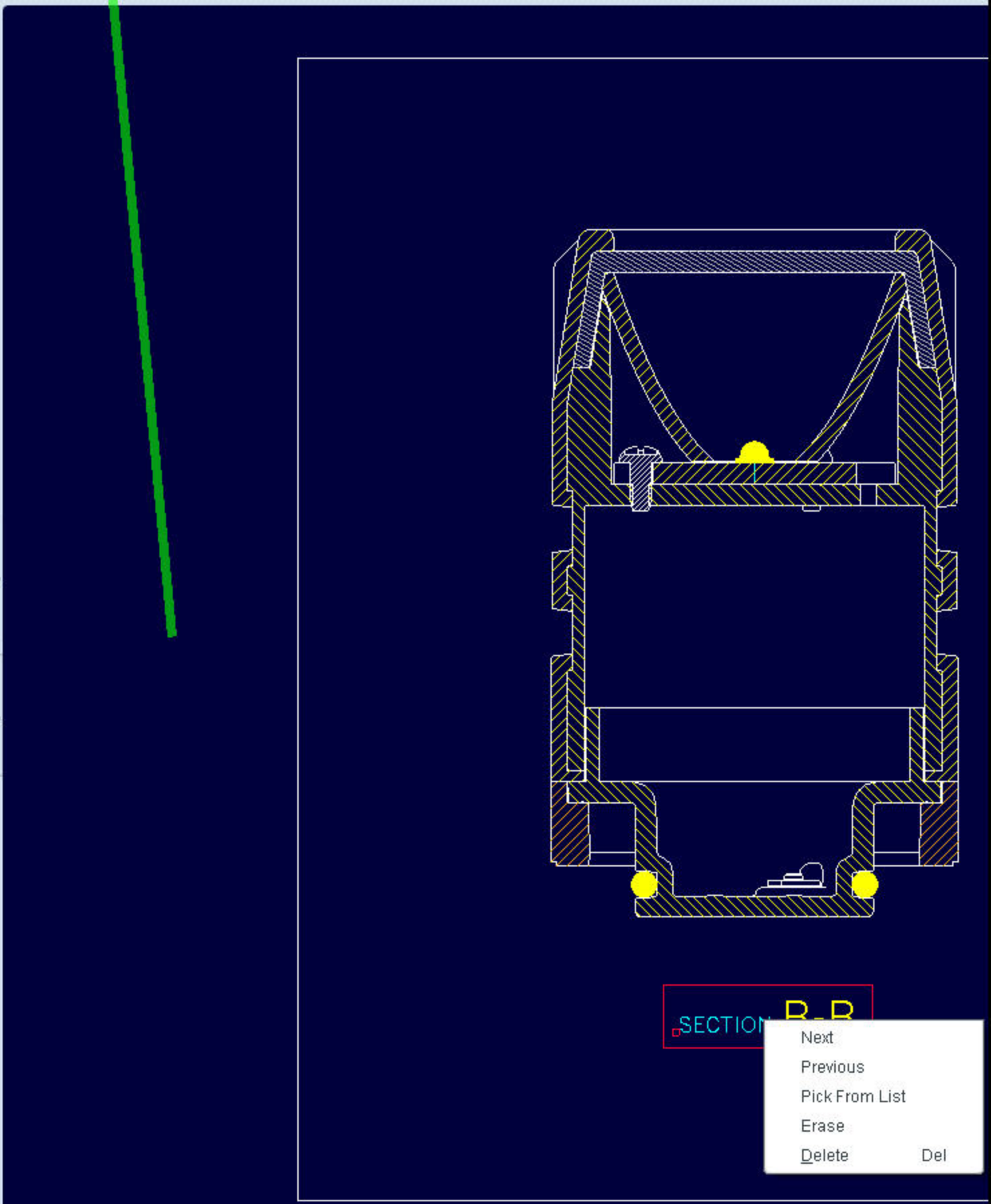
Drawing Tree

Sheet 1 of 0917-01-000-HANDHELD

- new_view_1
 - left_3

Model Tree

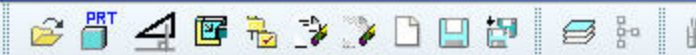
Fe...	Feat Name
0917-01-000-HAND	
ADTM1 1	ADTM1
ADTM2 2	ADTM2
ADTM3 3	ADTM3
AA_1 4	AA_1
AA_2 5	AA_2
AA_3 6	AA_3
ACS0 7	ACS0
0917-00-108	
0917-00-109	
0917-00-1010	
0917-00-1011	
0917-00-1012	
NVSW219A 13	
ADTM4 14	ADTM4
0915-01-2015	
ADTM5 16	ADTM5
ADTM6 17	ADTM6
M2-10SCR <No...	
M2-10SCRE 18	
M2-10SCR <No...	
M2-10SCRE 19	
M2-10SCR <No...	



SECTION R-R

- Next
- Previous
- Pick From List
- Erase
- Delete Del

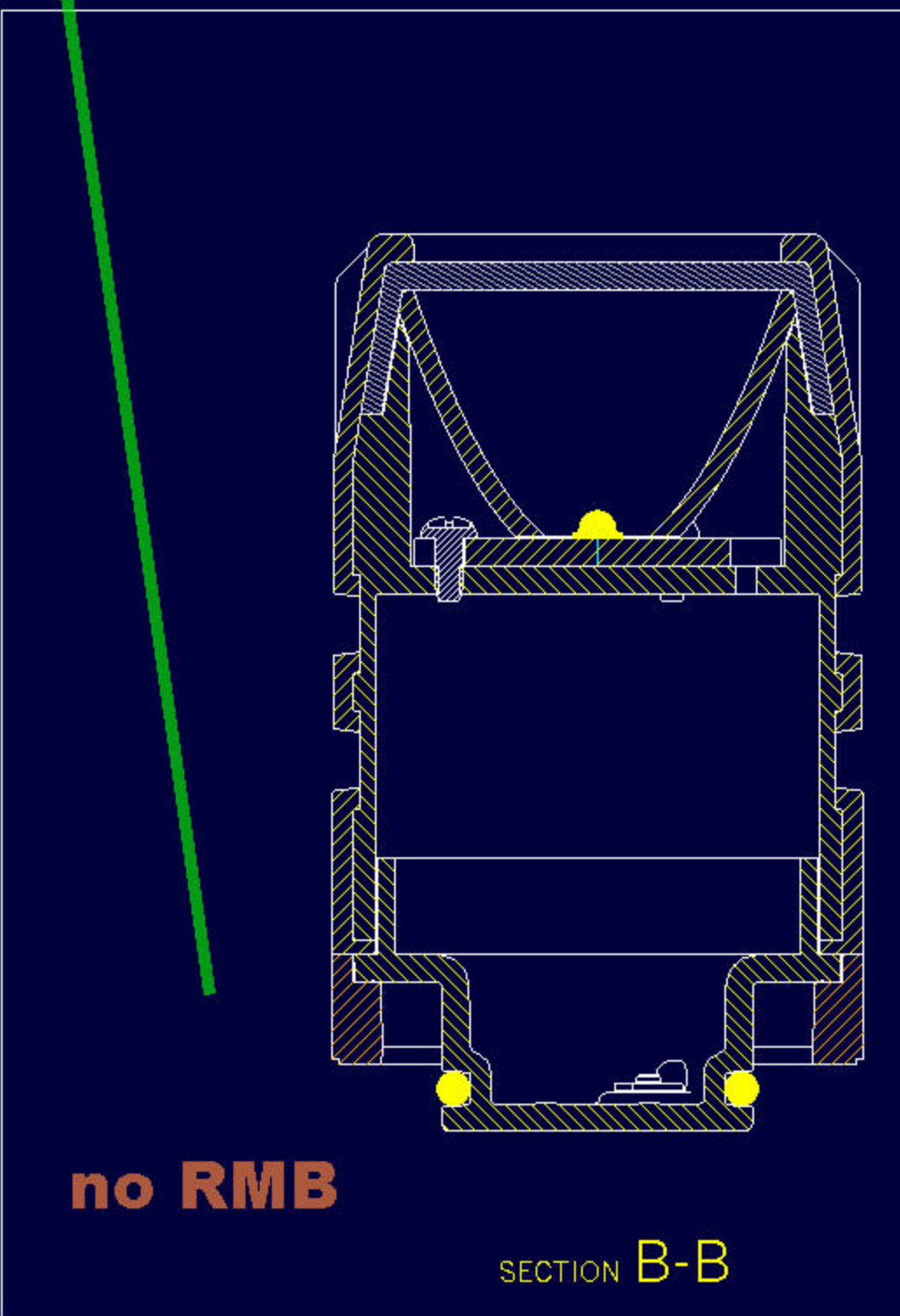
REP : Default Rep



Print/Plot Medusa DWG CGM
DXF IGES Stheno TIFF
PDF STEP SET
Publish

Settings Preview **Export**

- Shaded model will be displayed
- 0917-01-000-HANDHELD has been saved.
- Shaded model will be displayed



no RMB

SECTION B-B