

# UC-GTol-UZ

## Offset tolerance zone specification element (UZ)

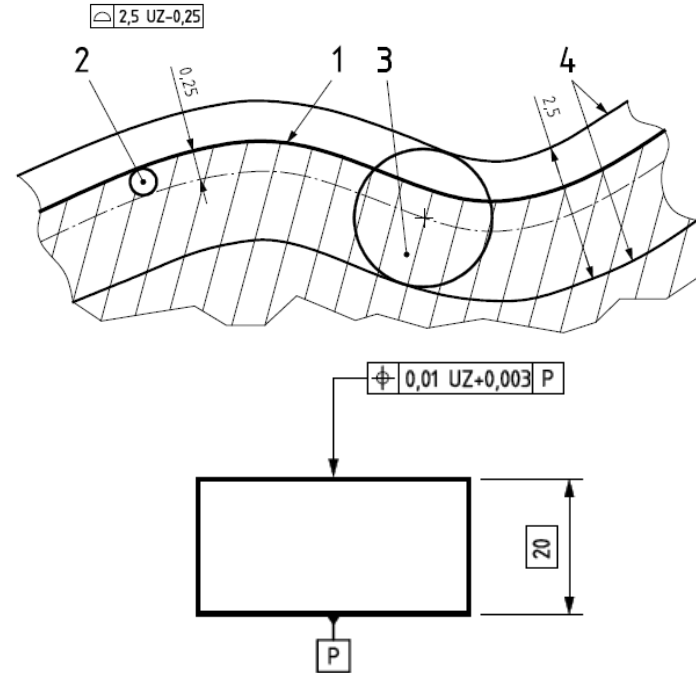
By default, the tolerance zone is centred on the theoretically exact feature (TEF). The tolerance zone offset is an optional specification element.

**1** single complex theoretically exact feature (TEF) in this example, the material is below the profile

**2** sphere defining the offset theoretical feature

**3** sphere defining the tolerance zone

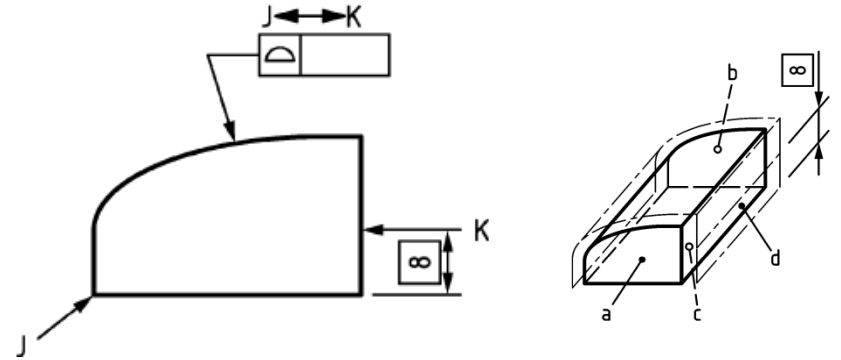
**4** limits of the tolerance zone



# UC-GTol-Begr

## Continuous, non-closed toleranced feature

If a tolerance applies to one identified restricted part of a feature or to continuous restricted parts of continuous features, but does not apply to the entire outline of the cross-sections (or entire surface represented by the outline), this restriction shall be indicated using the symbol “ ” (called “between”) and by identifying the start and the end of the toleranced feature.



# UC-GTol-CZ

## Combination specification element

If the specification applies to several features, an indication shall be given indicating how the specification applies to the features.

Where one combined tolerance zone is applied to several separate features, or several combined tolerance zones (controlled by the same tolerance indicator) are applied simultaneously to several separate features (not independently), the requirement shall be indicated by the symbol for combined zone.

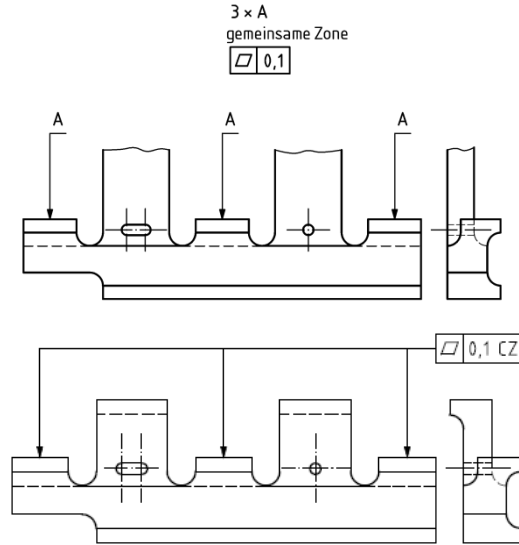


Figure 26

