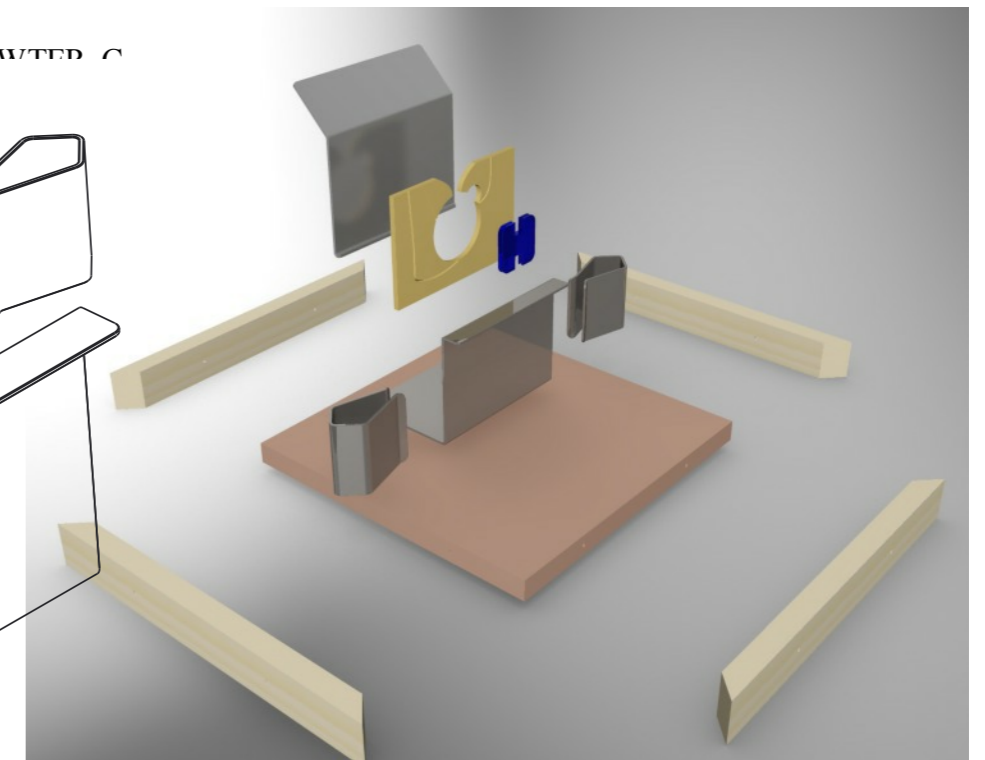
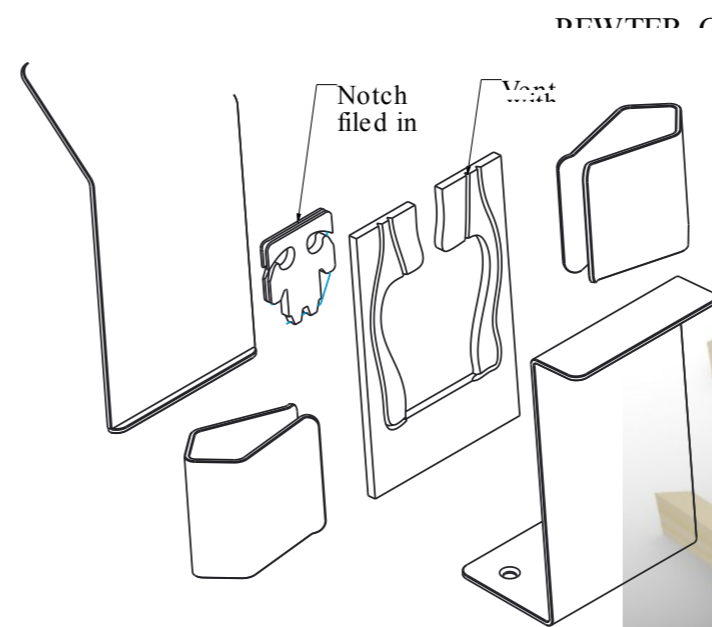
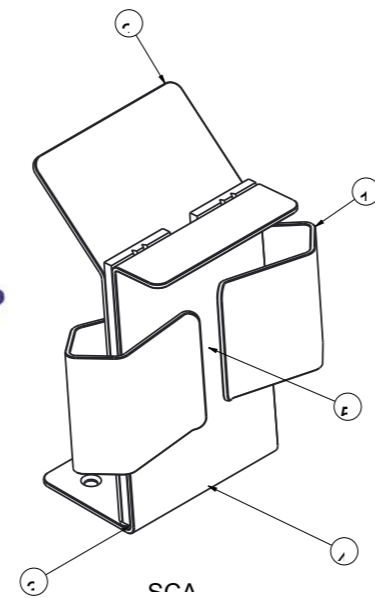
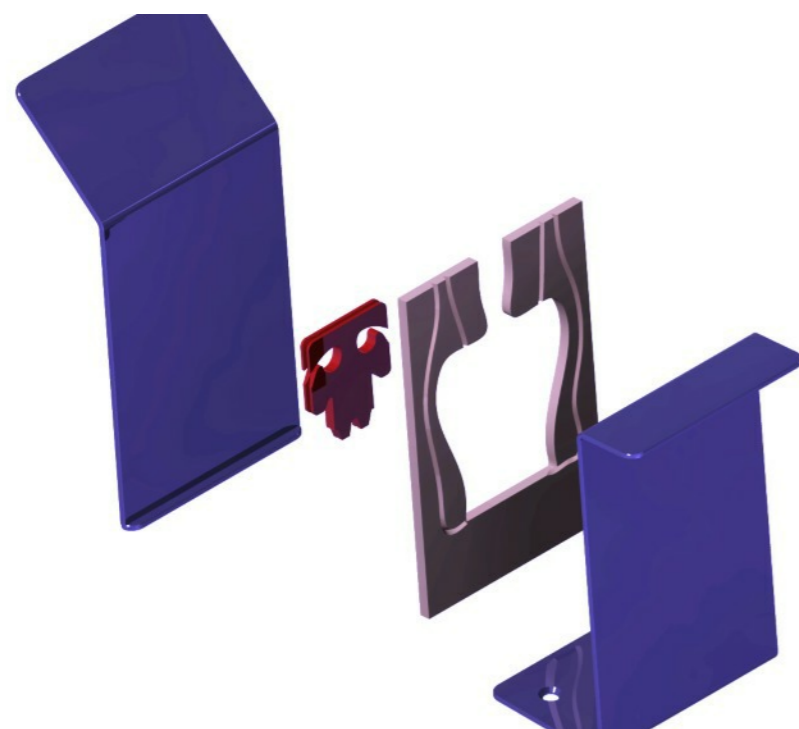
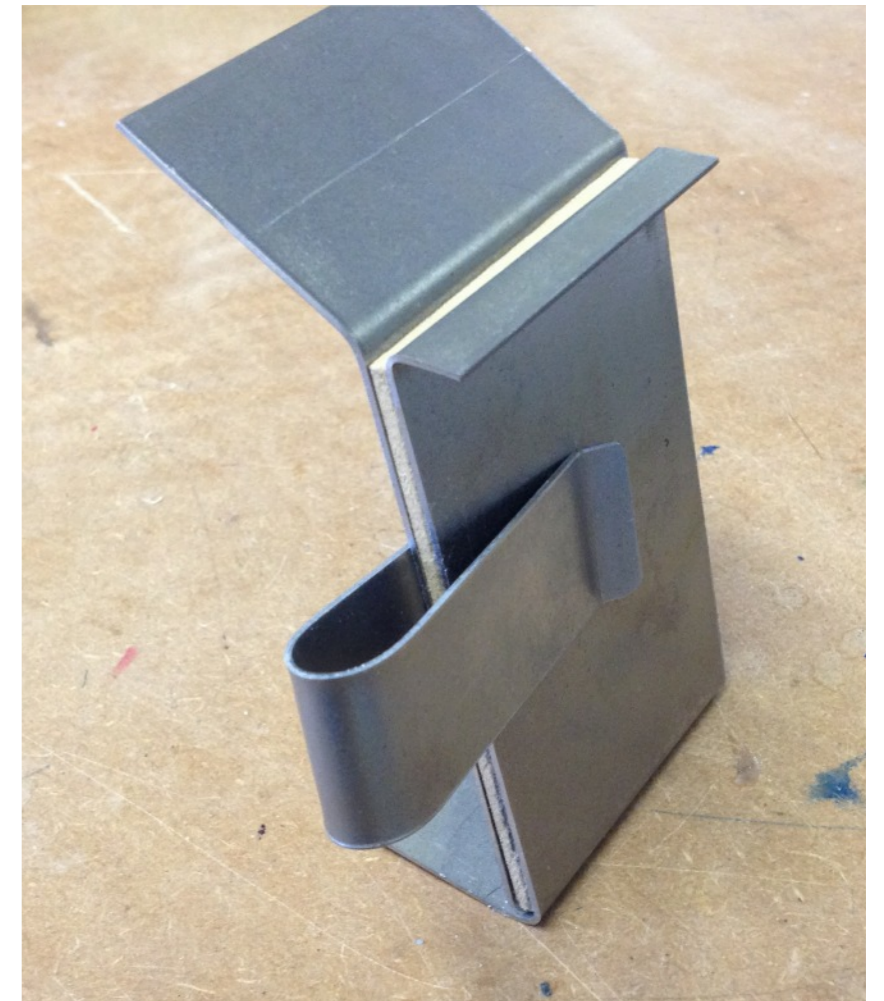
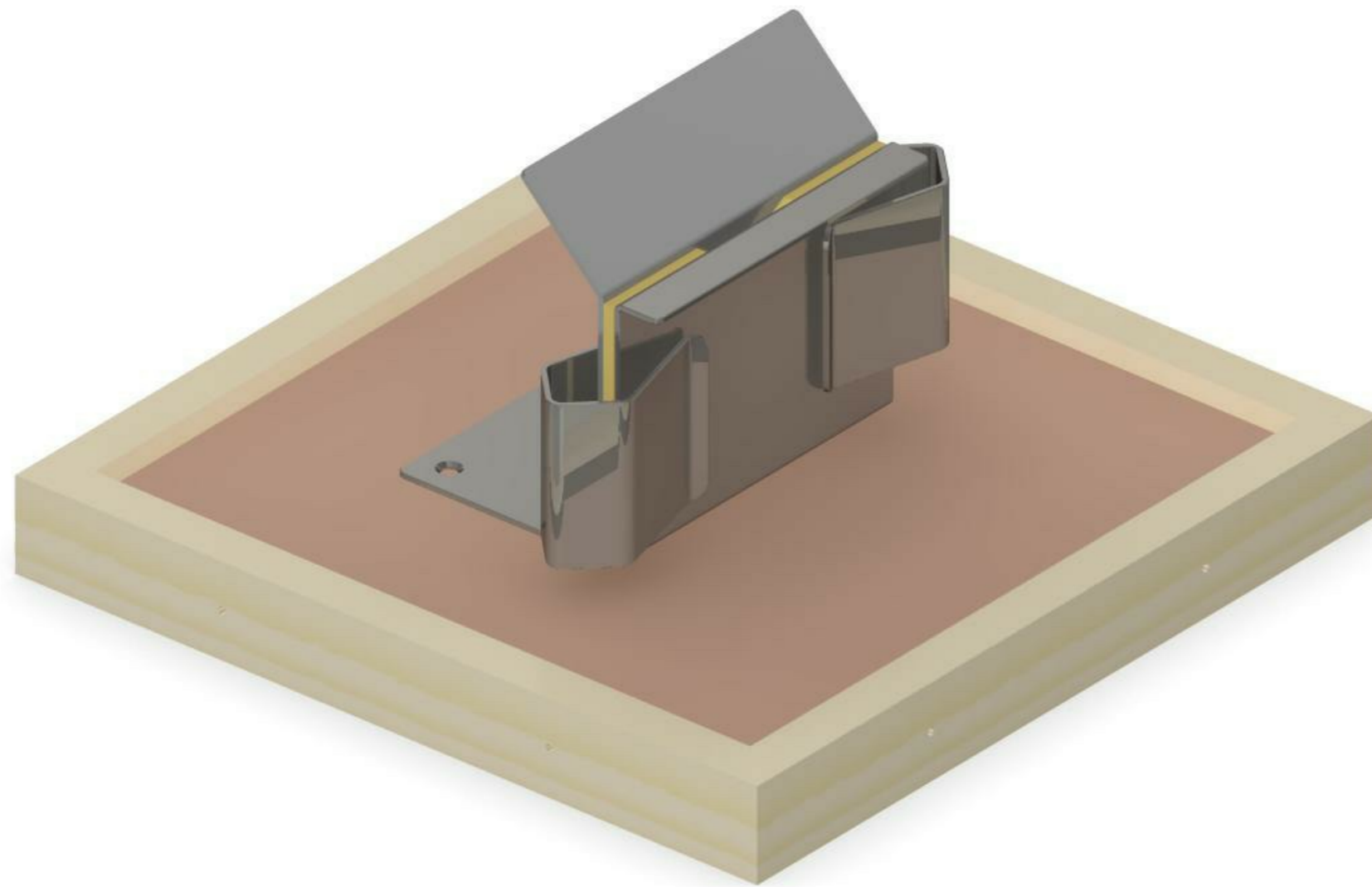


# Pewter Casting

Sach  
PEWTER\_CASTING\_TRAY



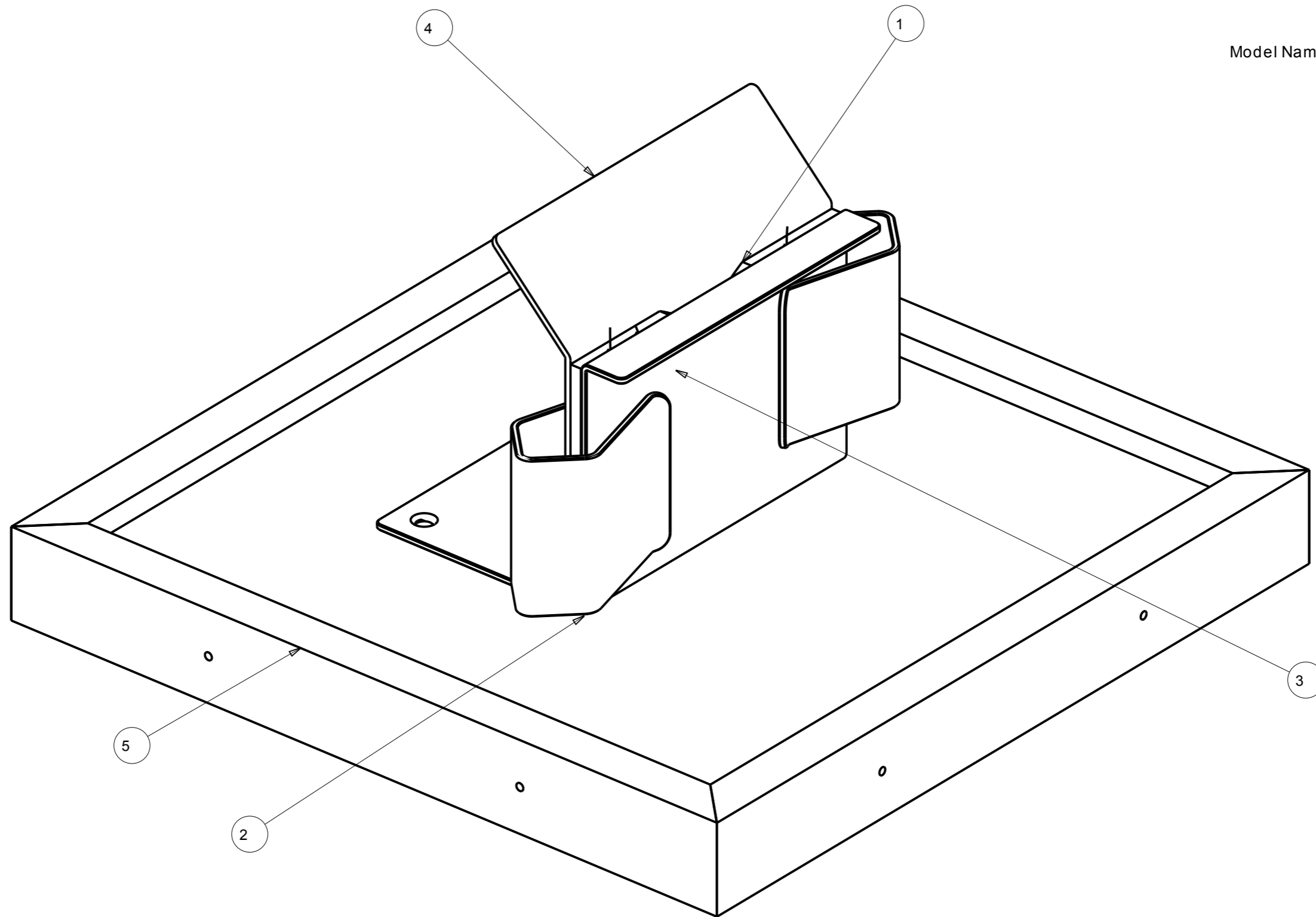
Scale 1:1 @A3. Sheet 1 of 10

# Pewter Casting

Sach

PEWTER\_CASTING\_TRAY

Model Name: PEWTER\_CASTING\_TRAY

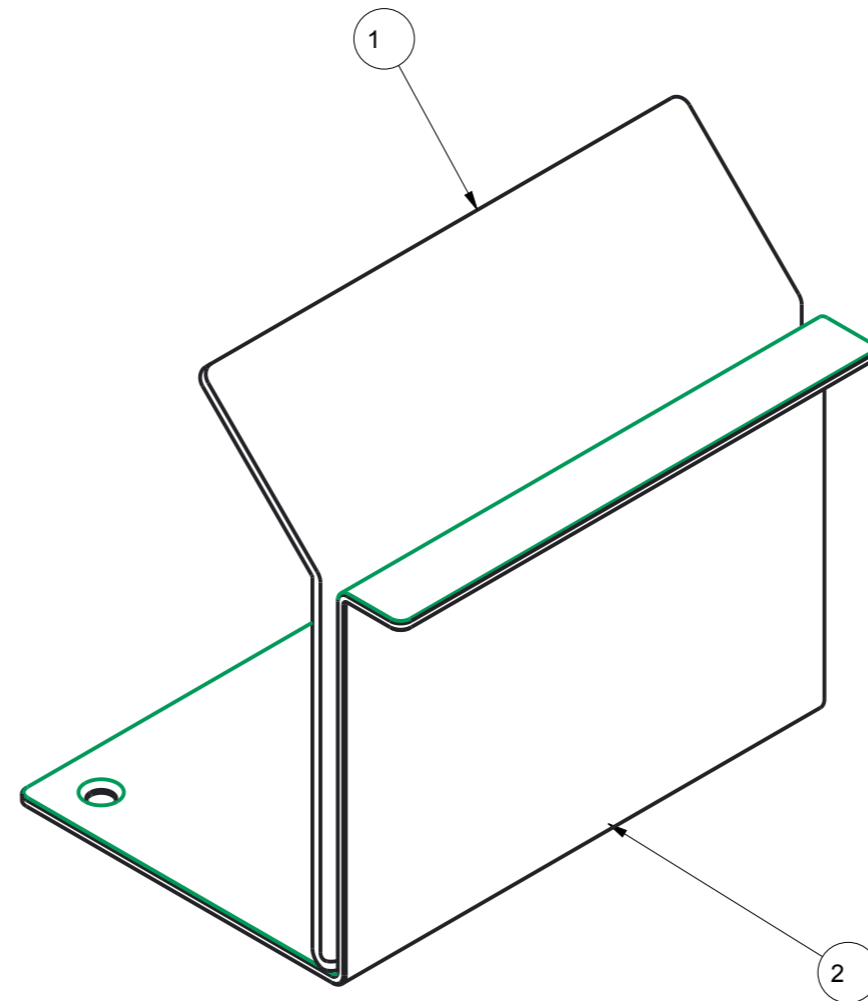


SCALE 1:1

ITEM NO	PART NUMBER	QTY	DESCRIPTION	NOTES
1	BLANK	1	blank.prt	3mm MDF
2	CLIP	2	clip.prt	1.5mm BRMS
3	INSERT	1	insert.prt	3mm Acrylic
4	STAND	1	stand.asm	1.5mm BRMS
5	TRAY	1	tray.asm	

# Pewter Casting Sach

PEWTER\_CASTING\_TRAY  
Model Name: STAND

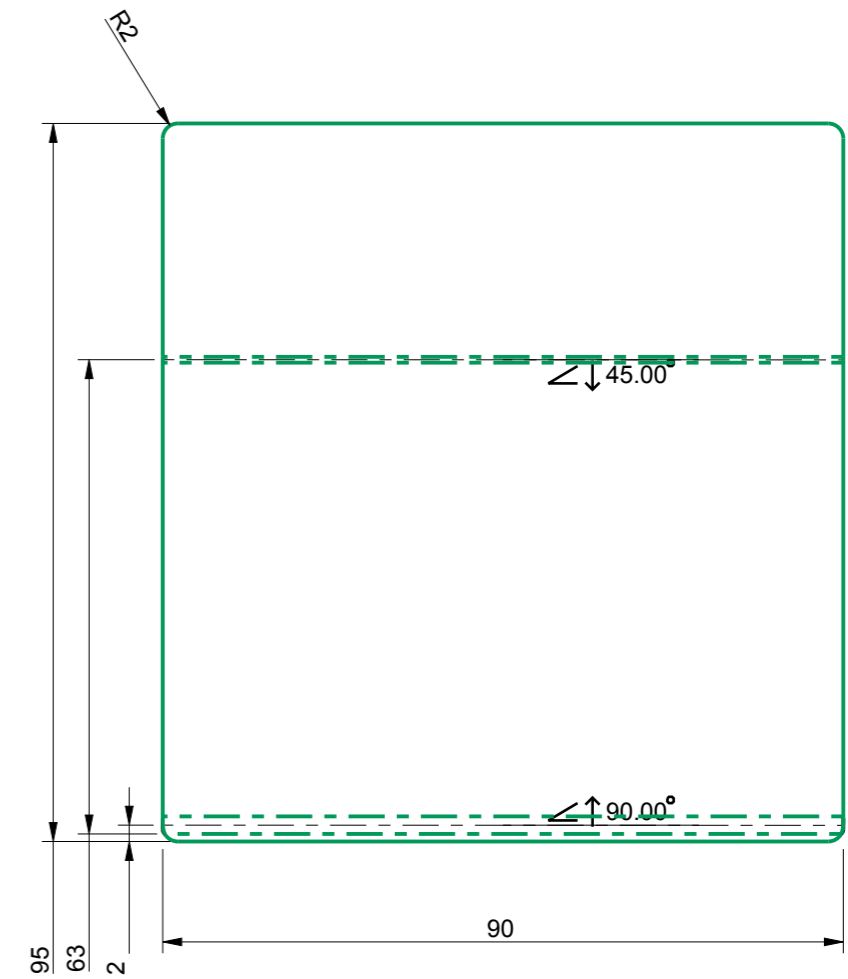
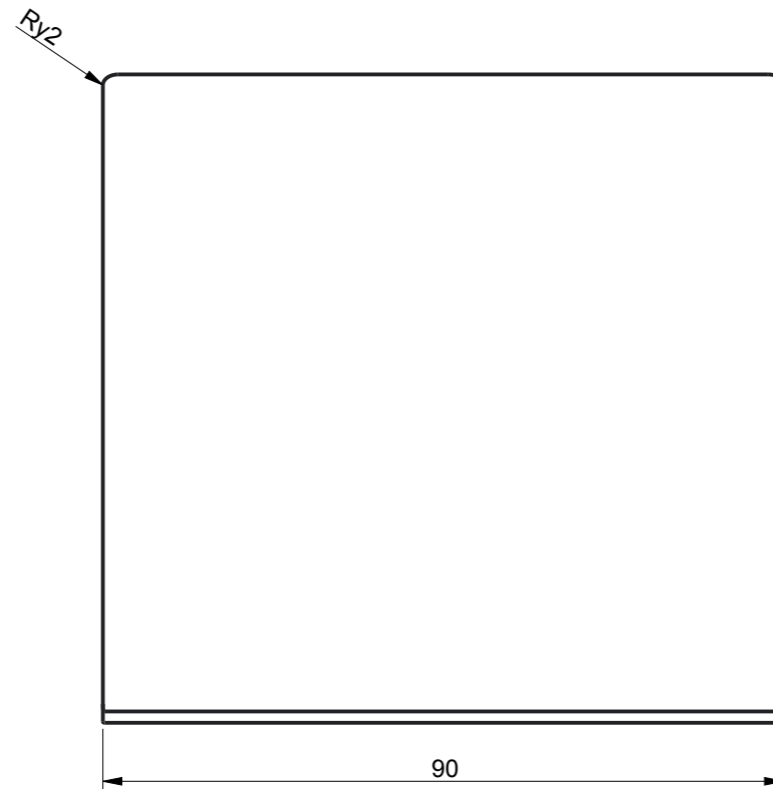
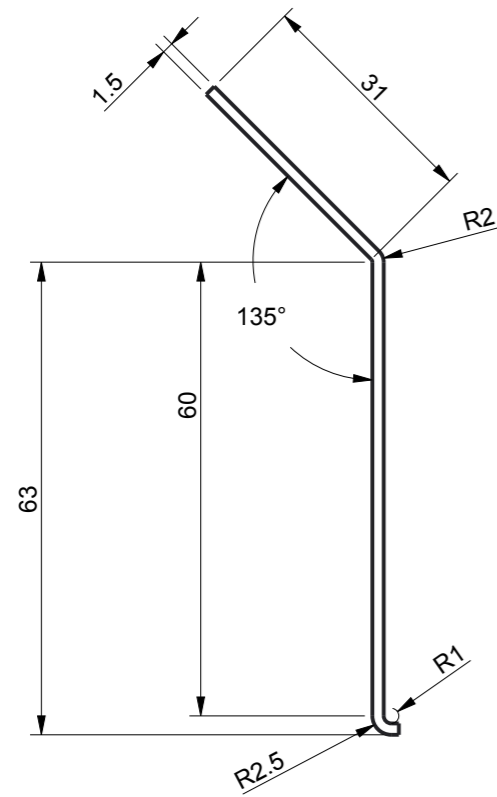
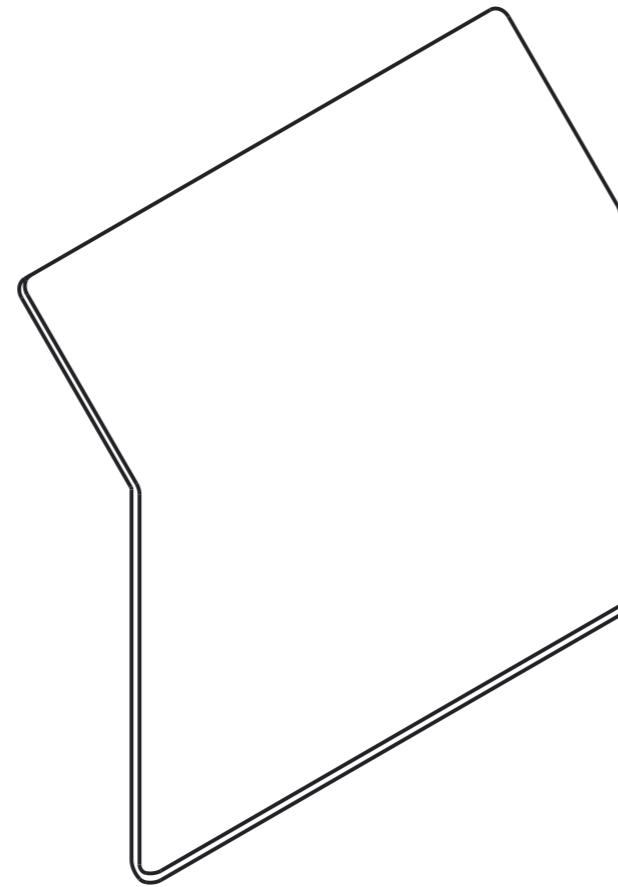
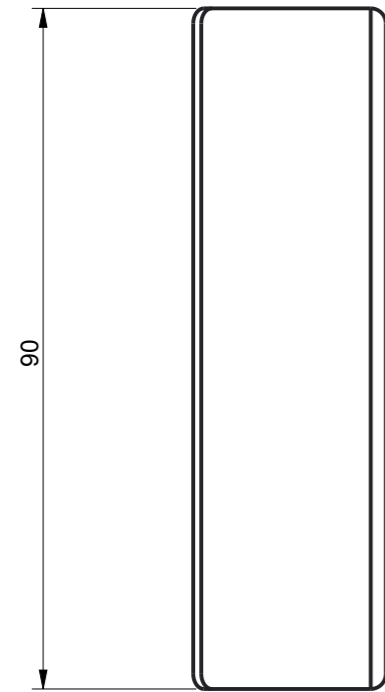


ITEM NO	PART NUMBER	QTY	DESCRIPTION	NOTES
1	BACK	1	back.prt	1.5mm BRMS
2	FRONT	1	front.prt	1.5mm BRMS

# Pewter Casting Sach

PEWTER\_CASTING\_TRAY

Model name: BACK  
Model name: BACK\_OPEN

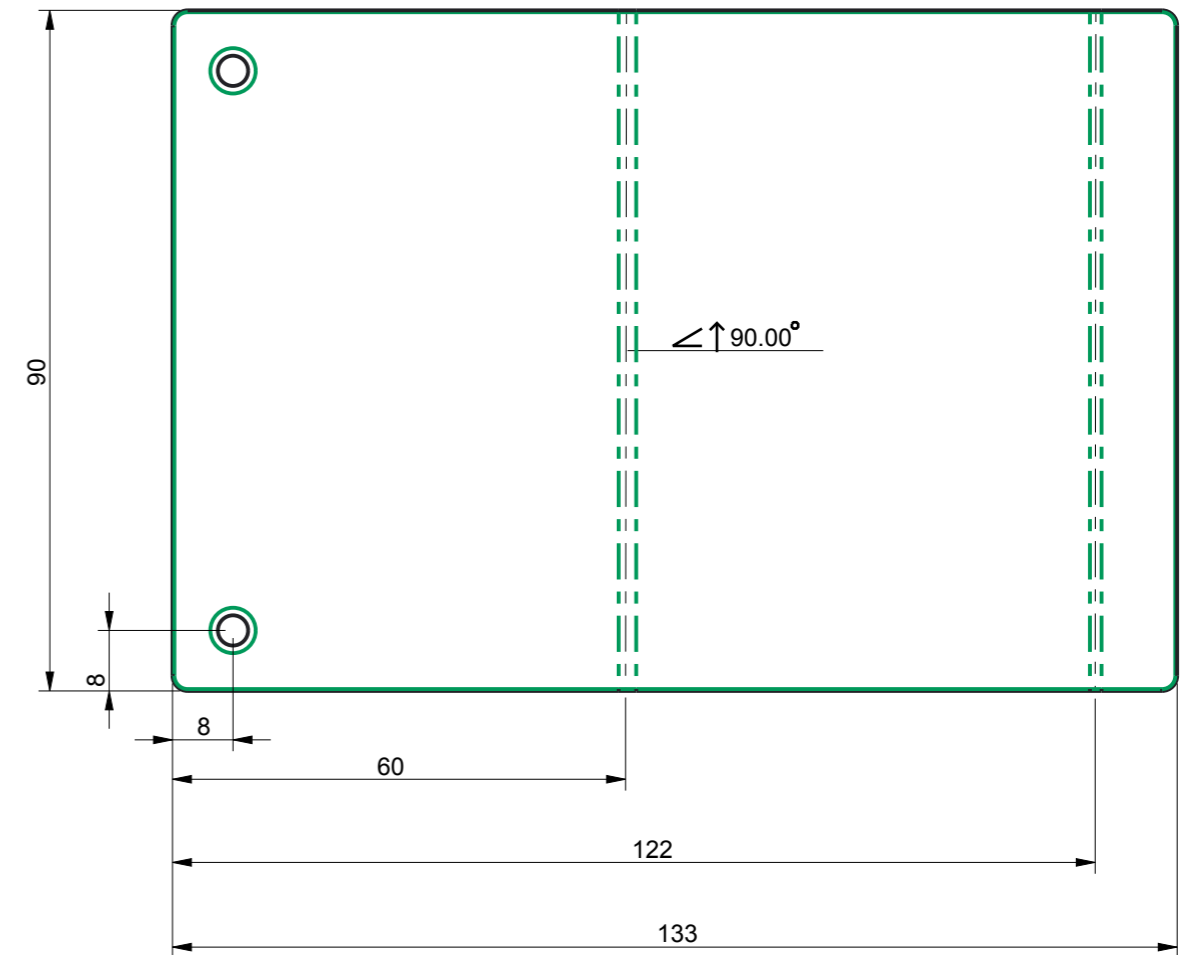
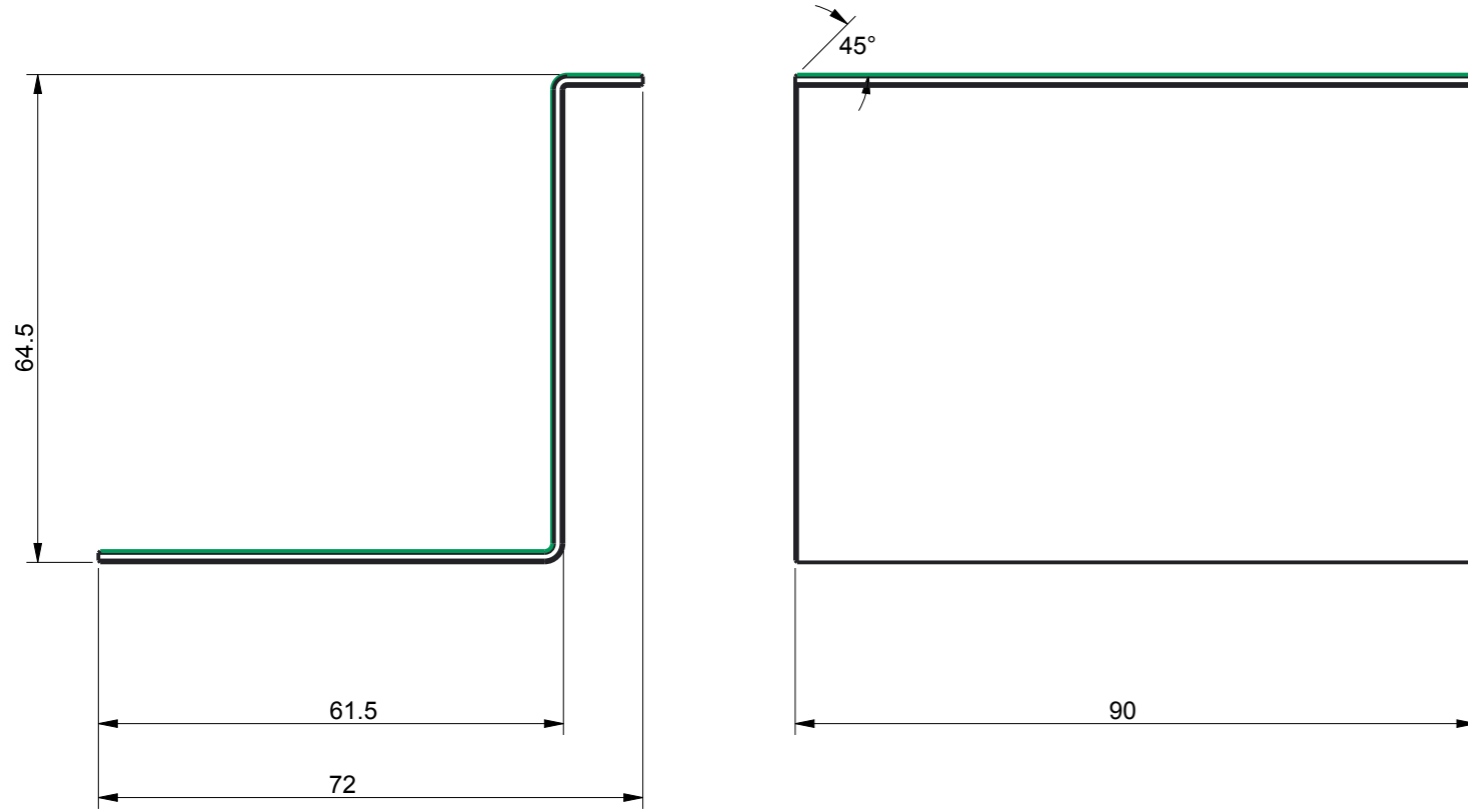
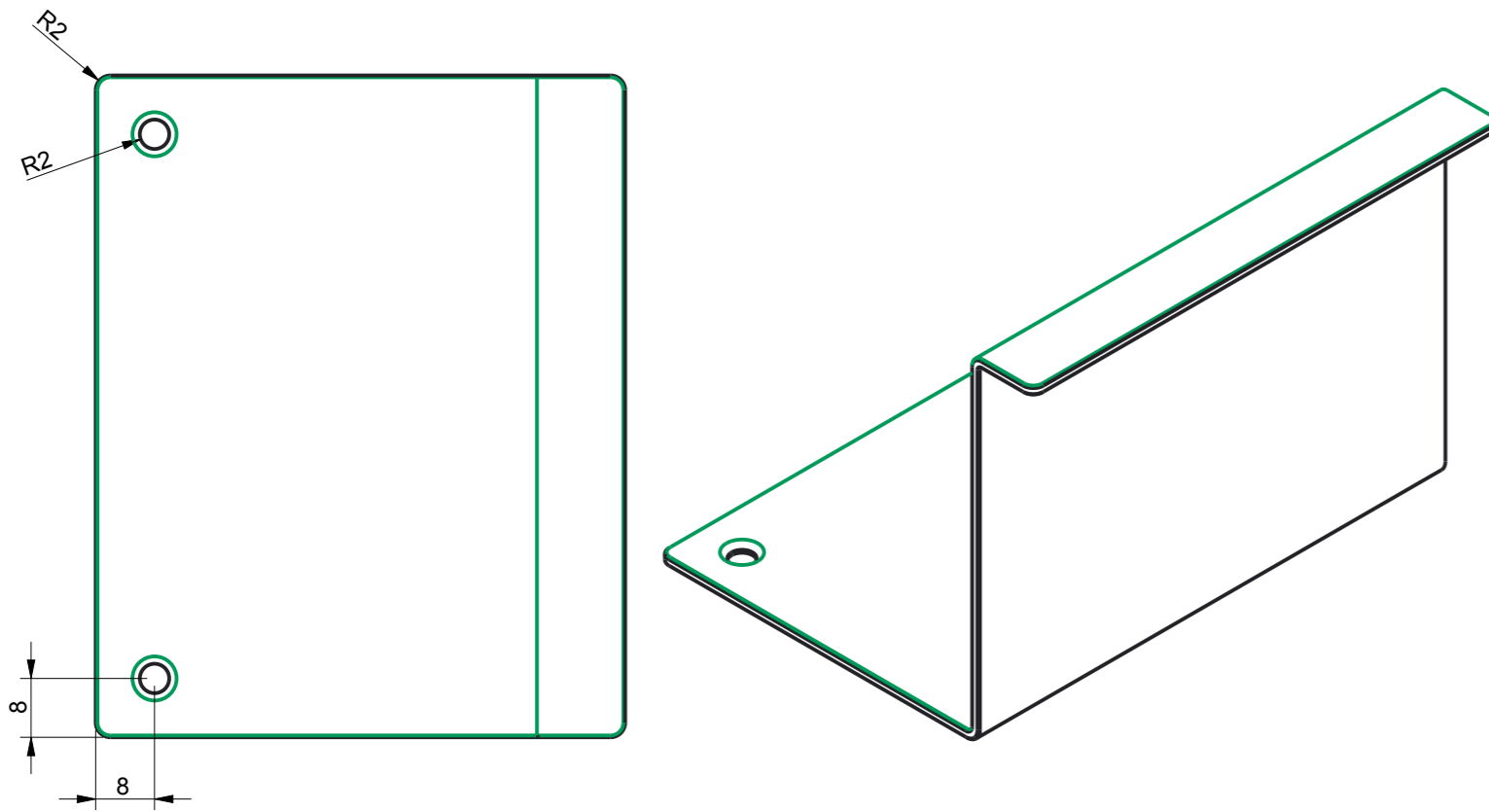


Development of part

# Pewter Casting Sach

PEWTER\_CASTING\_TRAY

Model name: FRONT



Development of part

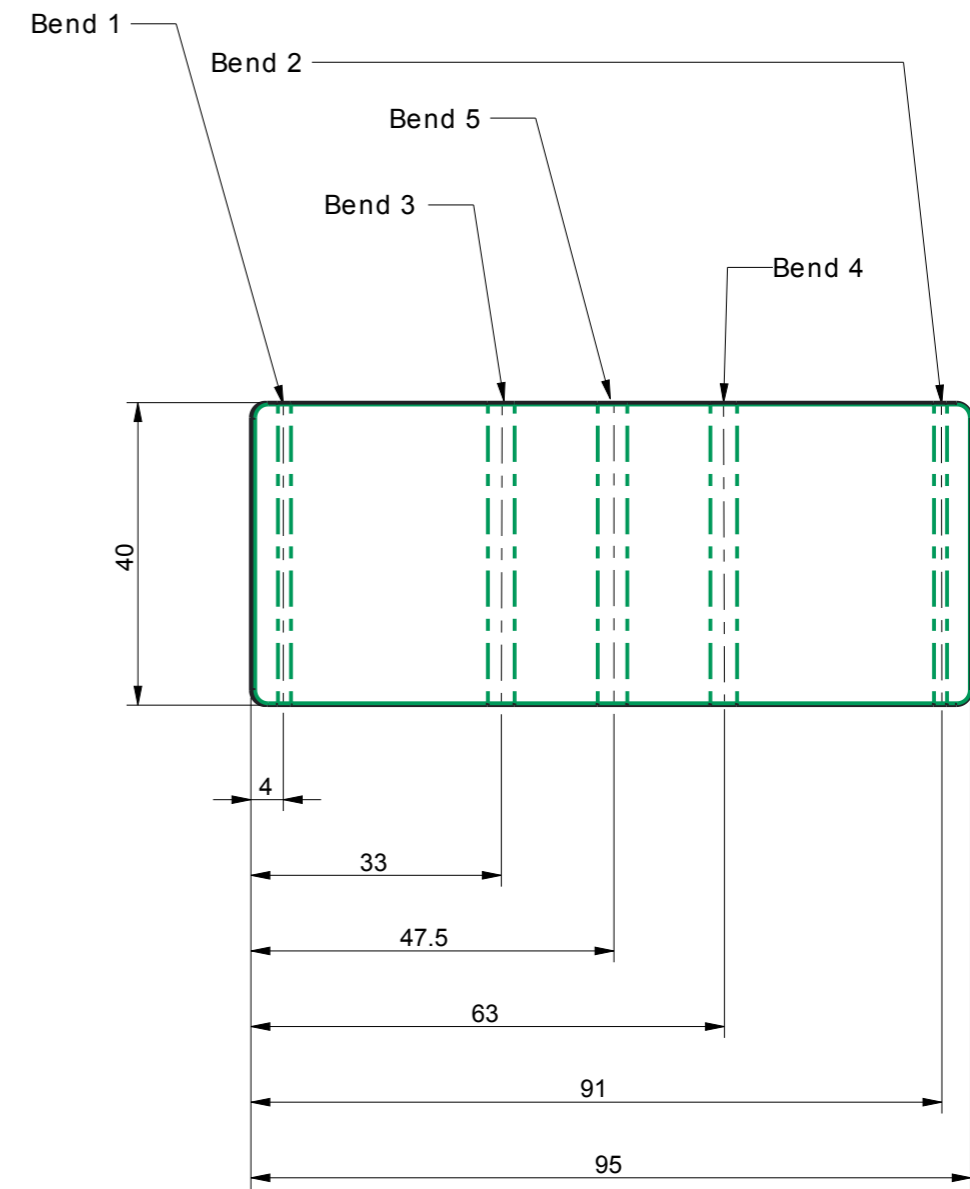
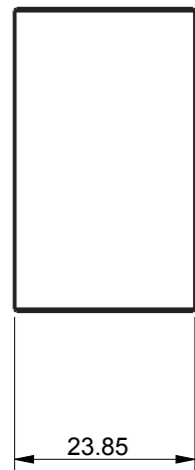
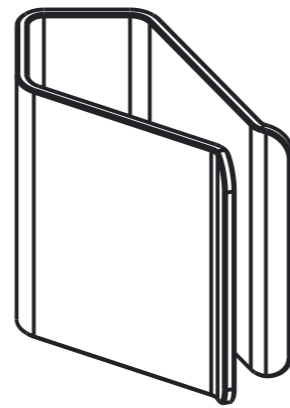
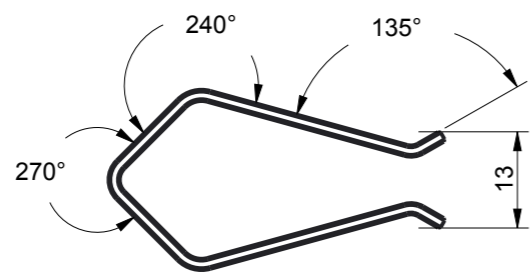
ITEM NO	PART NUMBER	QTY	DESCRIPTION	NOTES

# Pewter Casting

Sach

PEWTER\_CASTING\_TRAY

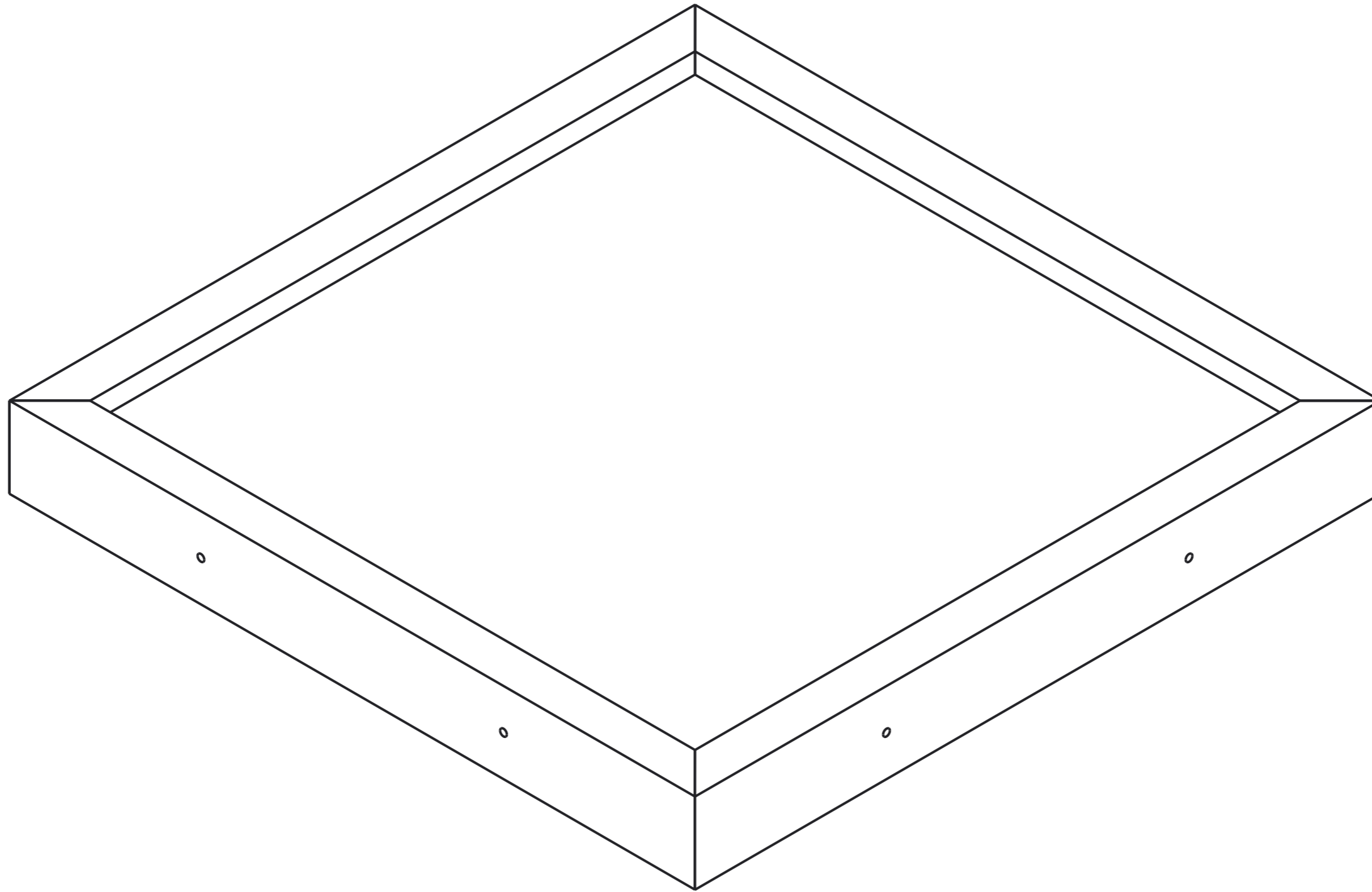
CLIPOPEN



Development of part

# Pewter Casting

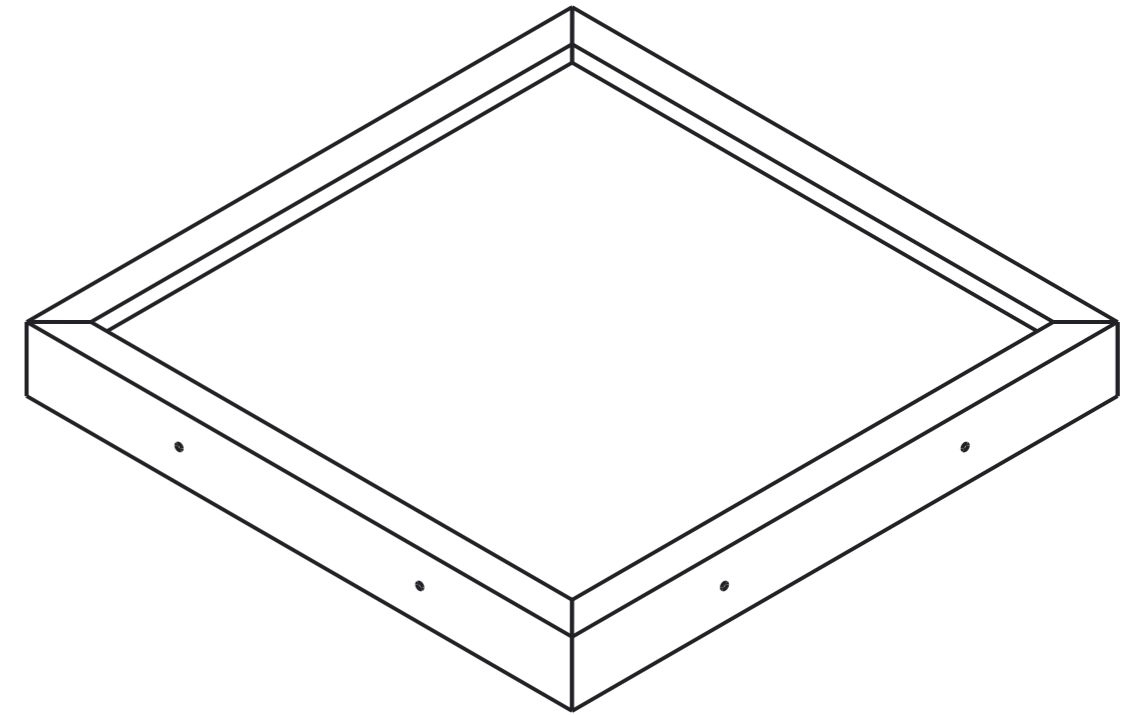
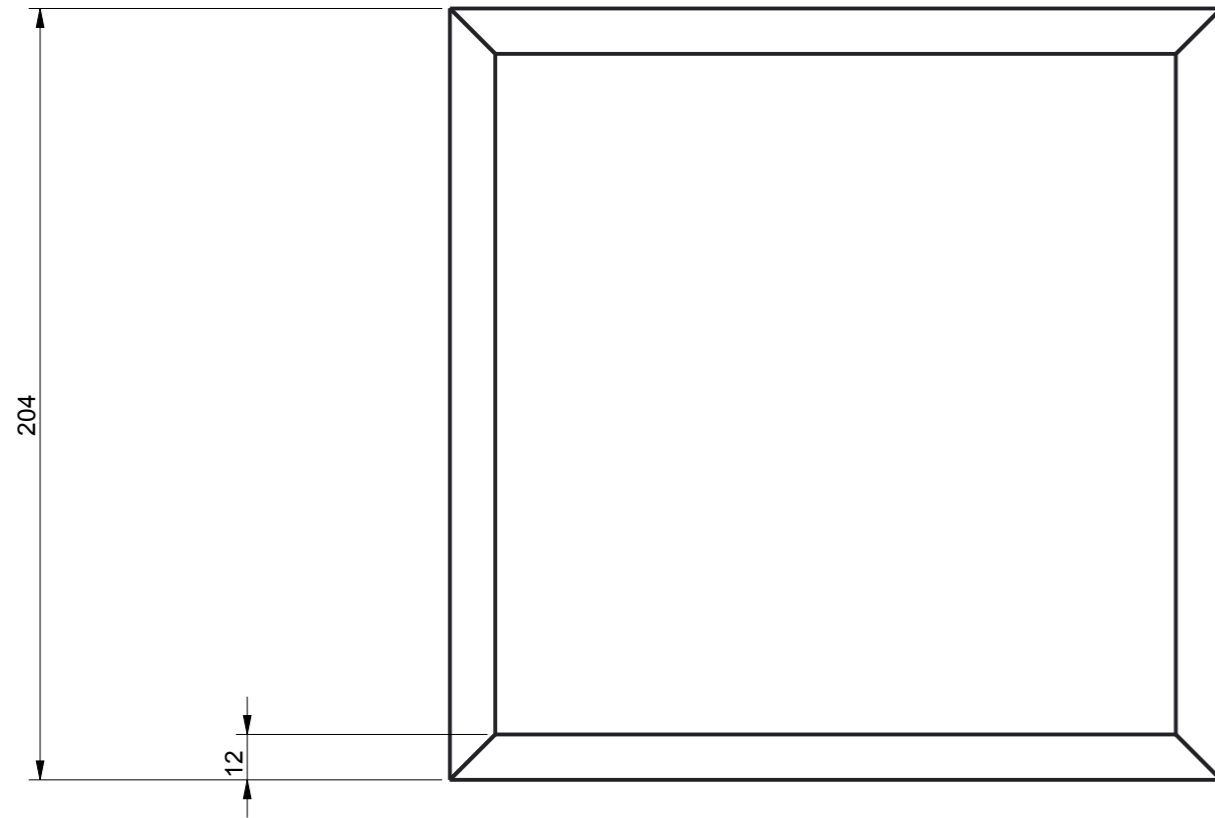
Sach  
PEWTER\_CASTING\_TRAY  
TRAY



ITEM NO	PART NUMBER	QTY	DESCRIPTION	NOTES
1	BASE1	1	base1.prt	MDF
2	FRAME	4	frame.prt	Pine

# Pewter Casting

Sach  
PEWTER\_CASTING\_TRAY  
TRAY



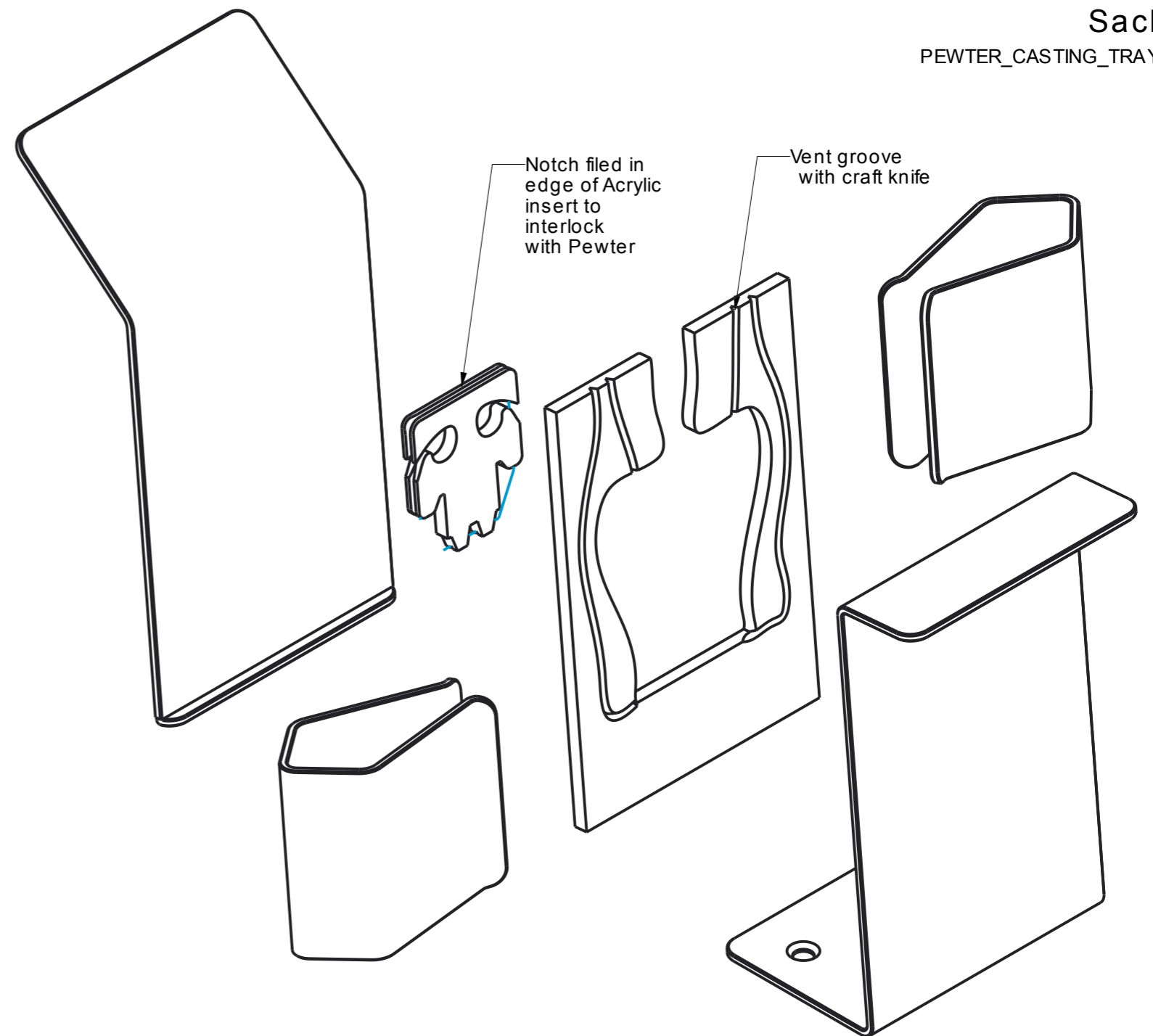
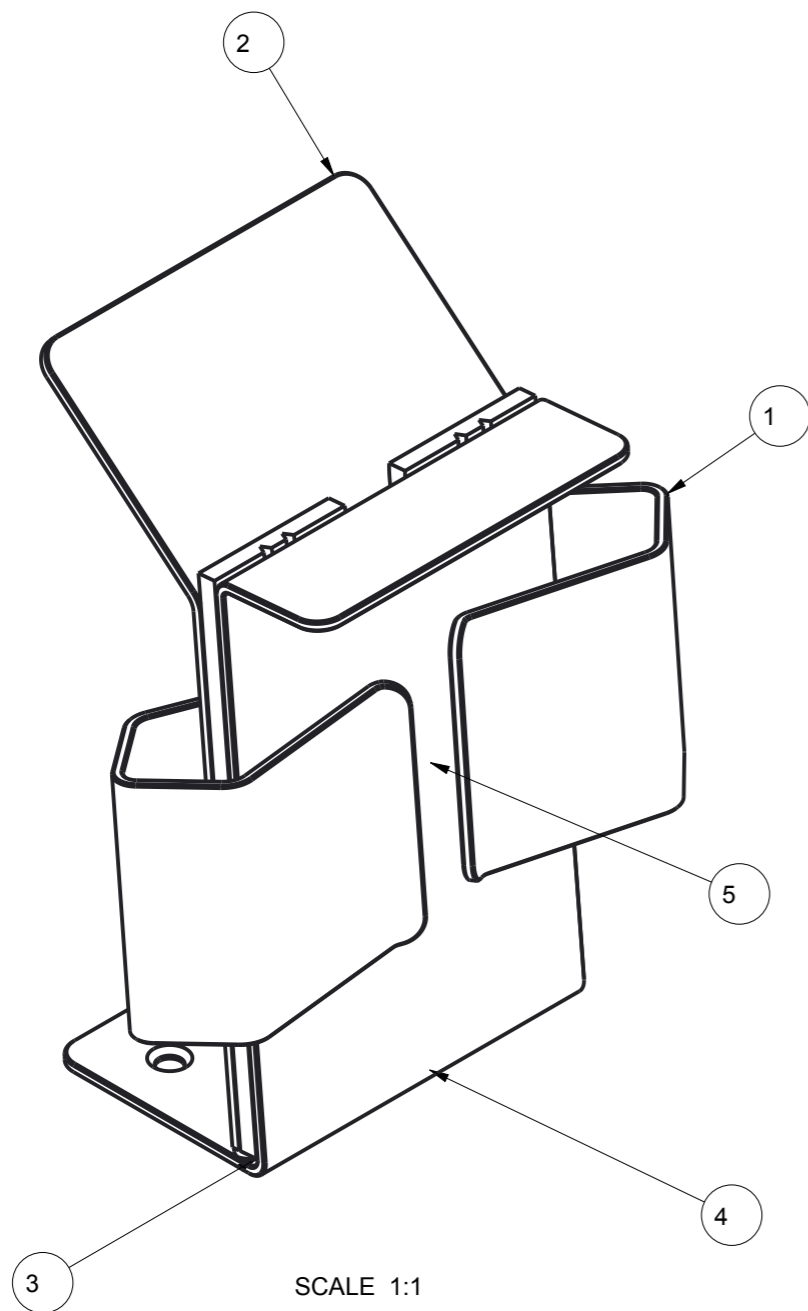
ITEM NO	PART NUMBER	QTY	DESCRIPTION	NOTES
1	BASE1	1	base1.prt	12mm MDF
2	FRAME	4	frame.prt	24mm x 12mm Pine



# Pewter Casting

Sach

PEWTER\_CASTING\_TRAY



ITEM NO	PART NUMBER	QTY	DESCRIPTION	NOTES
1	CLIP	2	clip.prt	1.5mm BRMS
2	UR-BACK	1	ur-back.prt	1.5mm BRMS
3	UR_BLANK	1	ur_blank.prt	3mm MDF
4	UR_FRONT	1	ur_back.prt	1.5mm BRMS
5	UR_INSERT	1	ur_insert.prt	3mm Acrylic

# Pewter Casting

Sach  
PEWTER\_CASTING\_TRAY

