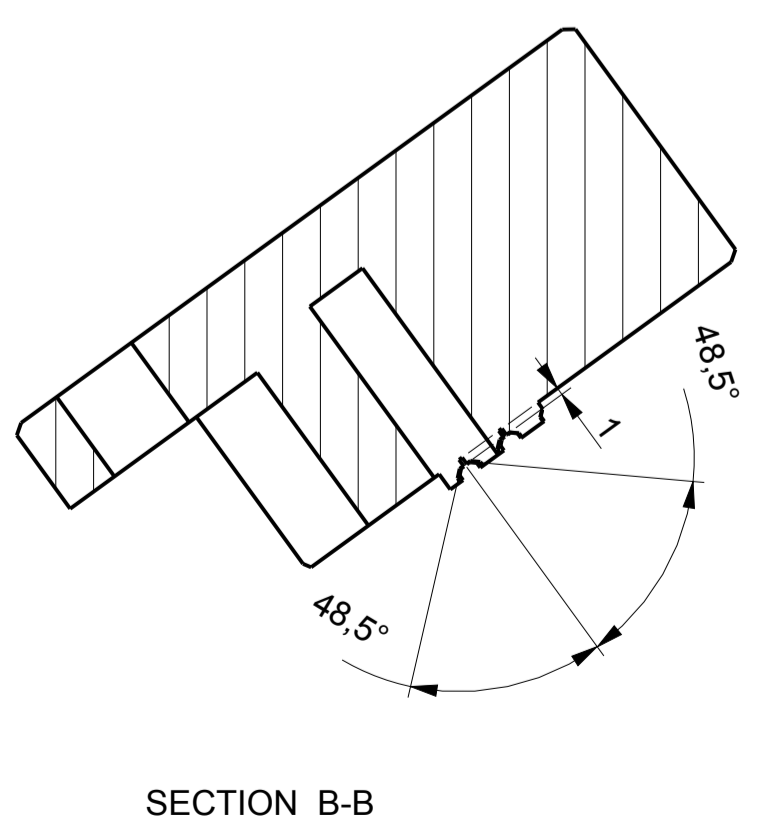


CMM FIXUTE-614K BLOCKER
 MATERIAL: EN 24
 QTY: 1 NO
 HARDNESS: 45-50 HRC



Allgemeintoleranzen General Tolerances DIN ISO 2768 - mH	Werkstückkanten Break Edges DIN ISO 13715
Form- und Lagetolerierung Form and Positioning Tolerances DIN ISO 1101	Oberflächenangaben Surface Texture EN ISO 1302
Tolerierung Tolerancing ISO 8015	

Index	Feld Section	Datum Date	Geändert Changed	Genehmigt Approved	Beschreibung der Änderung Revision Record
		27.03.2015	AG	SNN	NEW RELEASE

All rights reserved. Information included in this document is proprietary information of Oerlikon Friction Systems. Unless prior written agreement has been received from Oerlikon Friction Systems, no part of this document may be reproduced, distributed or transmitted in any form or by any means, electronic or mechanical, including photocopying and recording.

Grundwerkstoff / Base material				
Beschichtungswerkstoff / Coating material				
Projektion 	Bezeichnung / Description CMM FIXTURE-614K BLOCKERS			
Maßstab / Scale 1:1	Zeichnungs- & Teilnr. / Part & drawing no 109.614.G00.XXX	Revision	Datum / Date 27.03.2015	Format D.Size A1
	gezeichnet/Drawn GEORGE	von GEORGE	Blatt Sheet 1	von of 1