

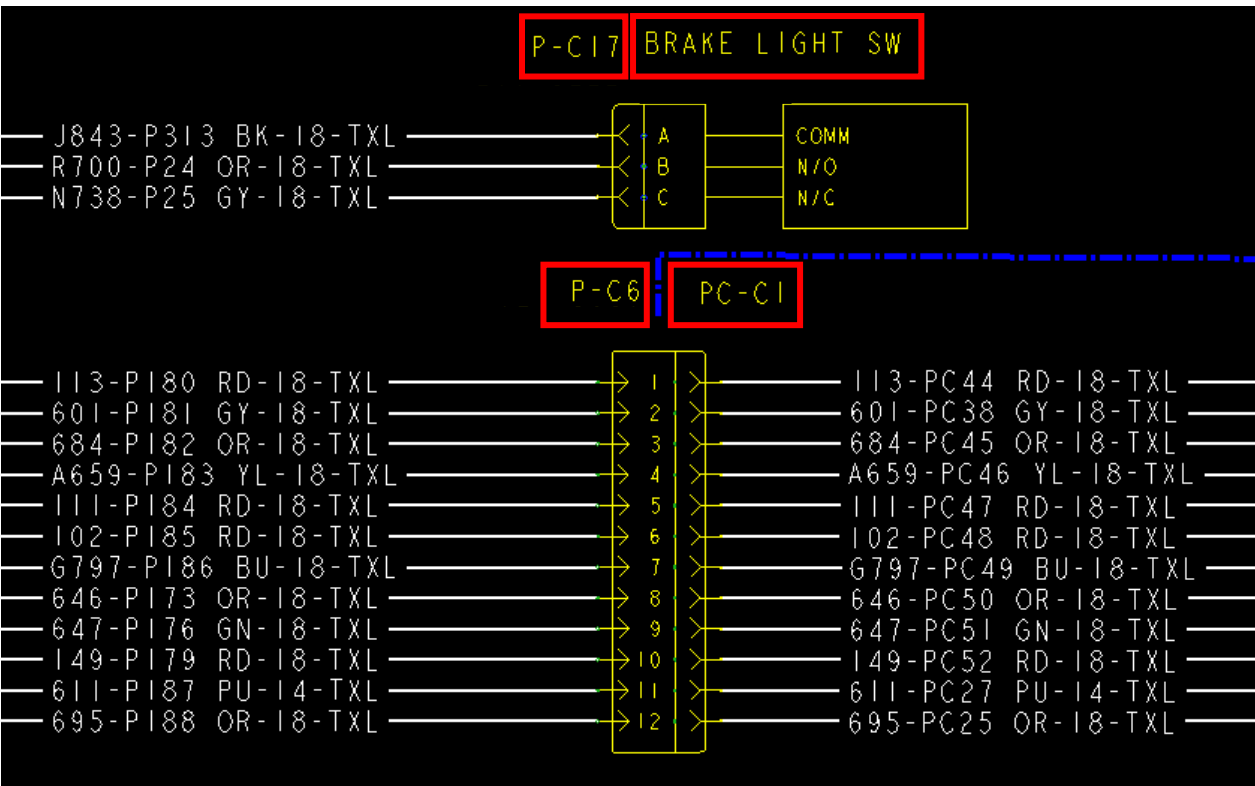
Connector/Component MATE info needed on Report – 18-Apr-24

In below image, the CONNECTOR's are designated as P-C17, P-C6 and attached (MATE) to the COMPONENT "Brake Light Sw" and CONNECTOR "PC-C1" respectively.

We would like to see MATE TO or CONNECT TO information on each connectors in the harness layers to be shown and can be exported as a report (like Circuit data table report or any other report without entering manual entry)

For example:

- P-C17 (CONNECTOR) mate to BRAKE LIGHT SW (COMP)
- P-C6 (CONNECTOR) mate to PC-C1 (CONNECTOR)



Expectation:
If we attach the connector to component and/or connector to connector, both items should be attached parametrically without any additional updates and the MATE TO report can be exported to see WHAT is attached to WHAT.

