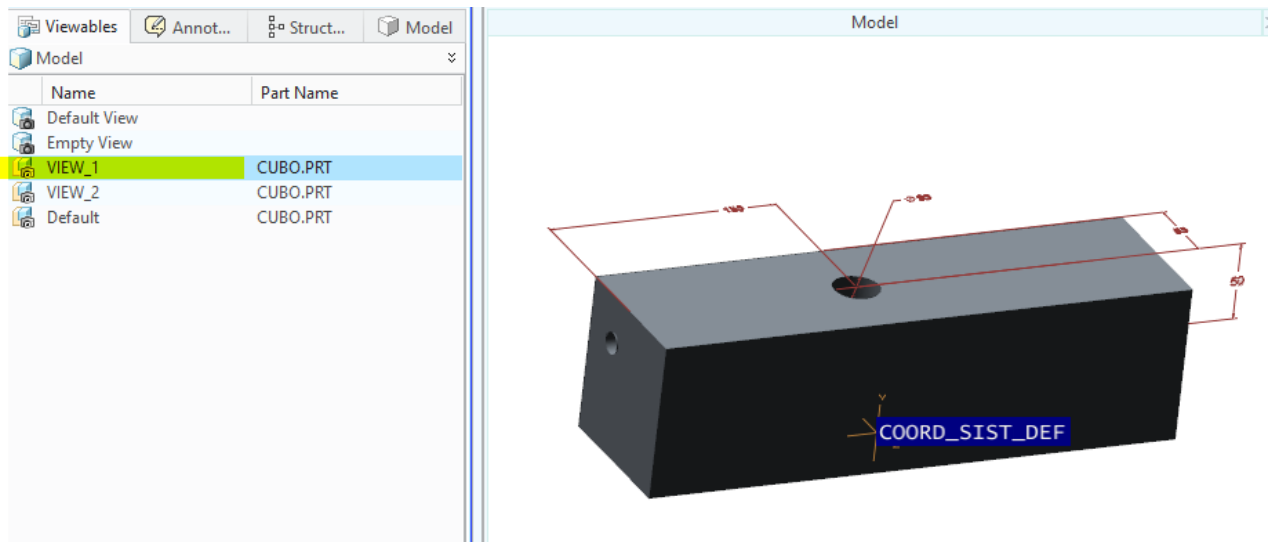


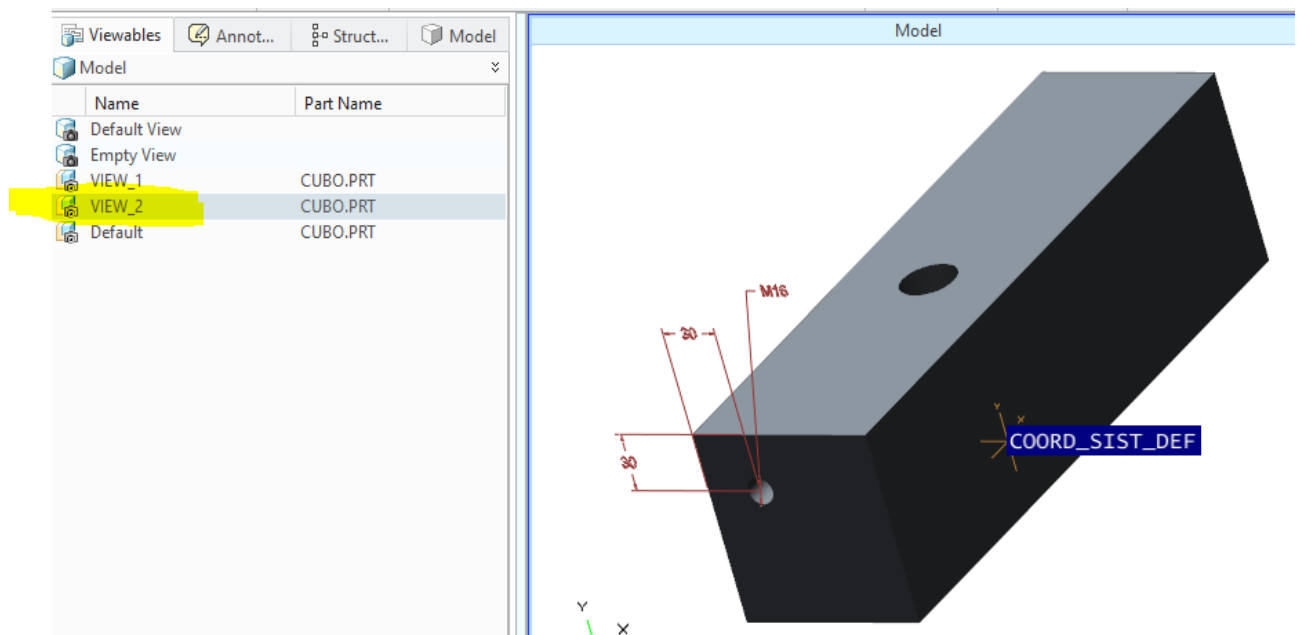
CREO VIEW LITE 4.1 F000

We have a .pvz with 2 viewables:

VIEW_1:

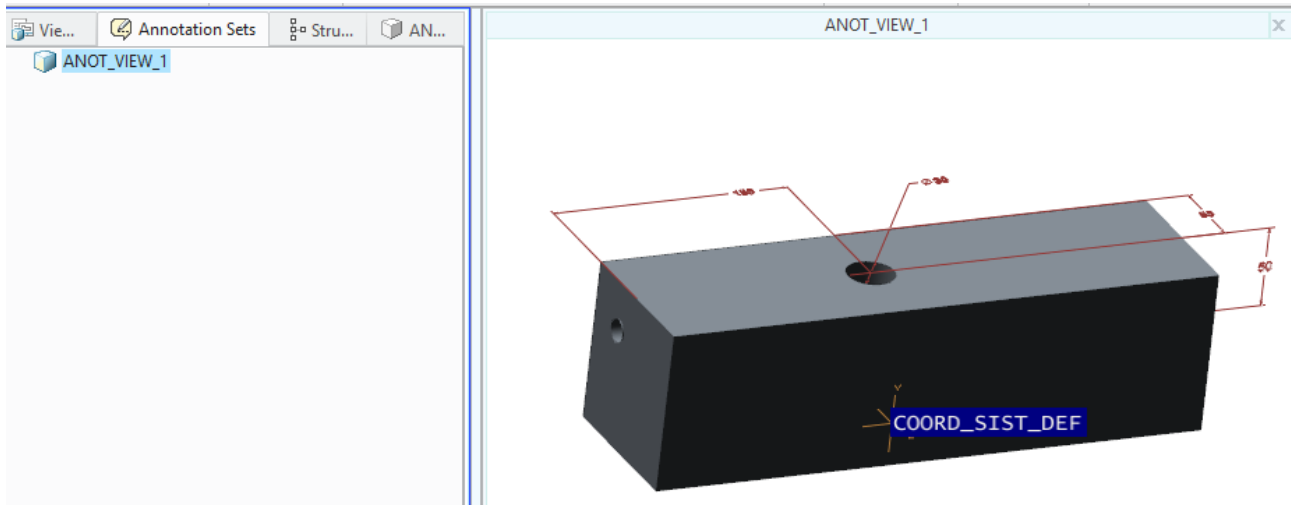


VIEW_2:

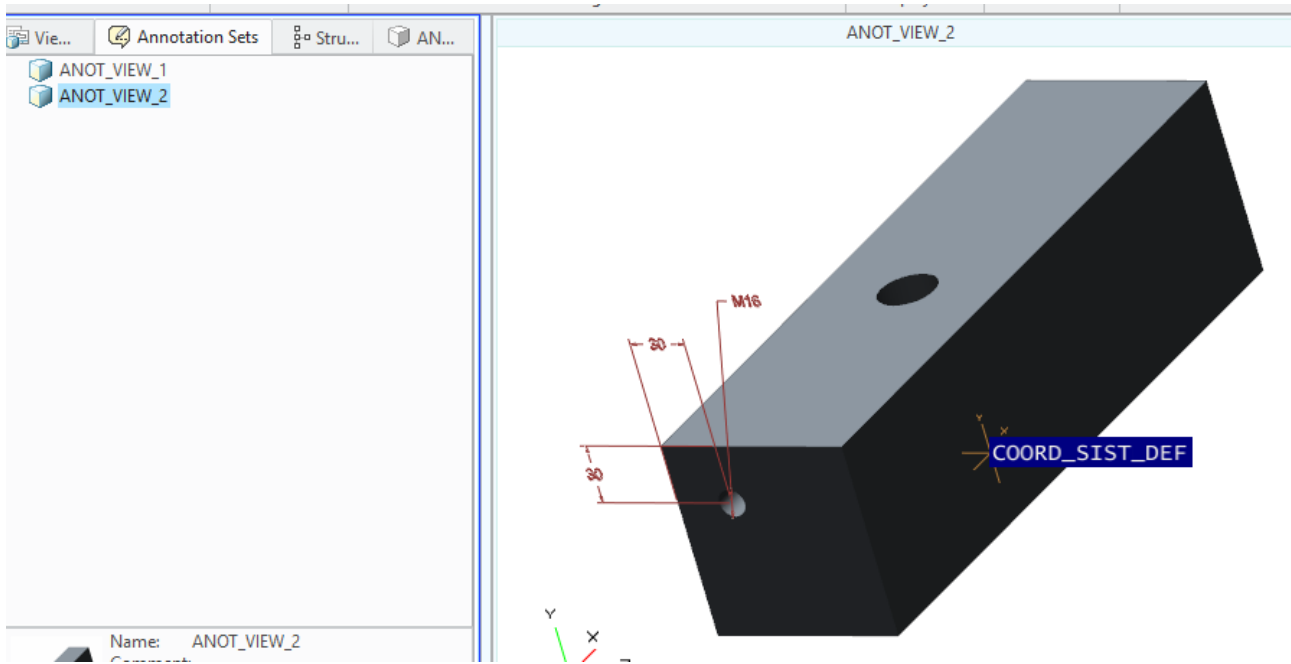


We create two “Annotation Sets”, one per each viewable:

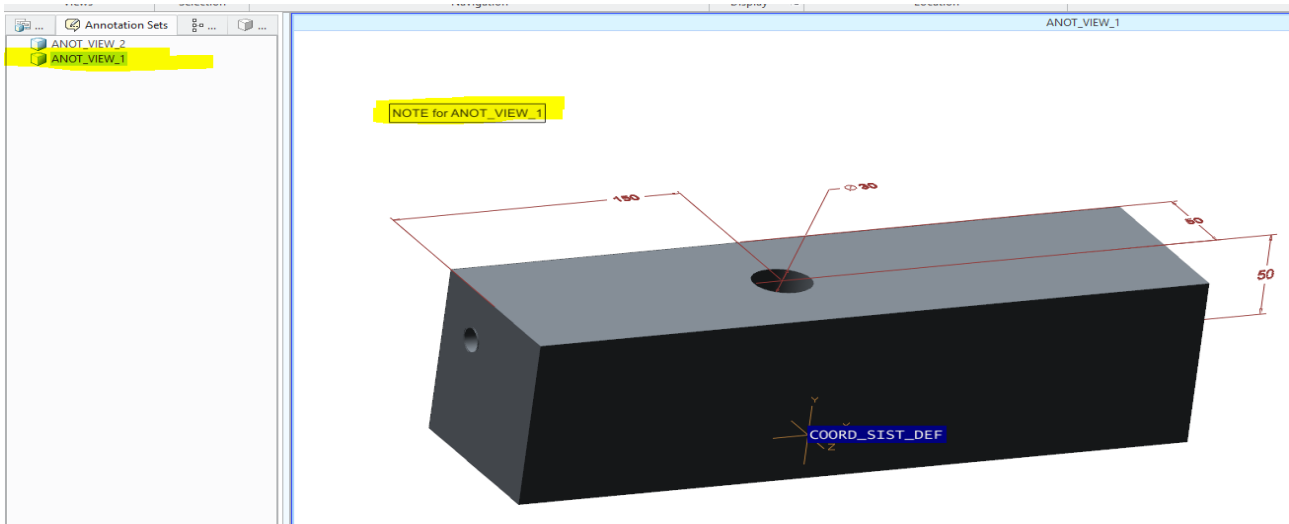
ANOT_VIEW_1:



ANOT_VIEW_2:

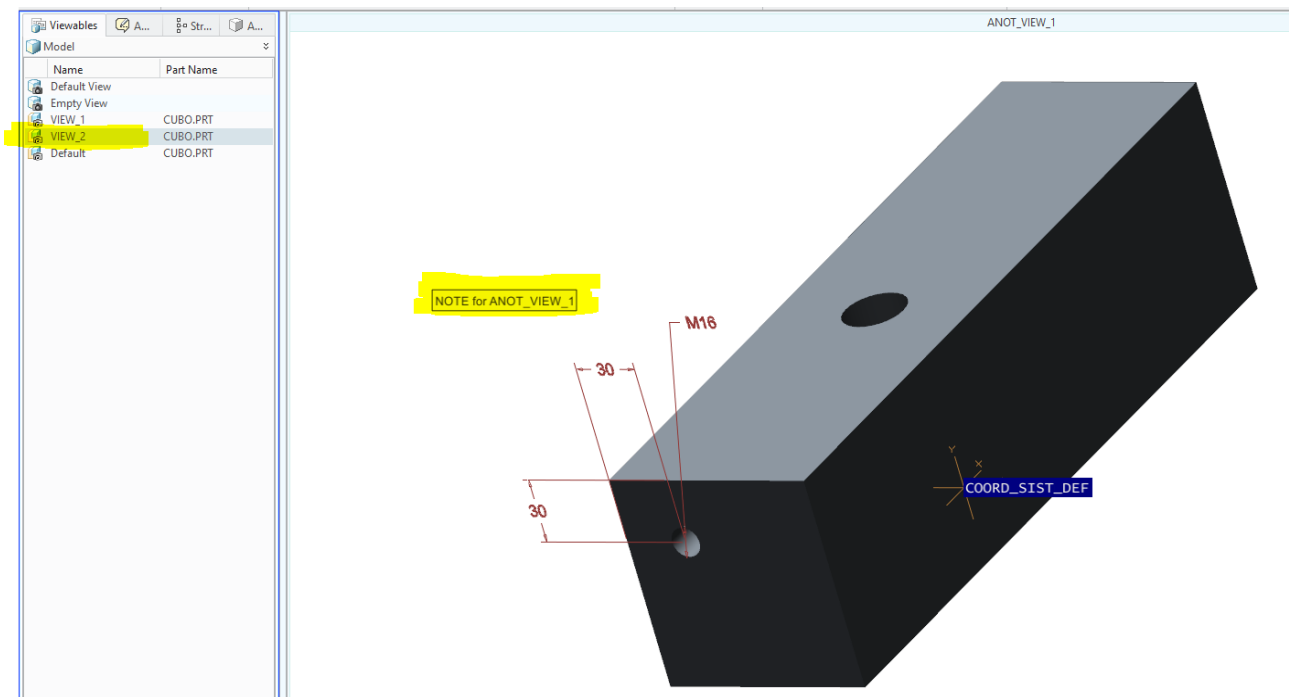


We add a note to ANOT_VIEW_1 and save it:

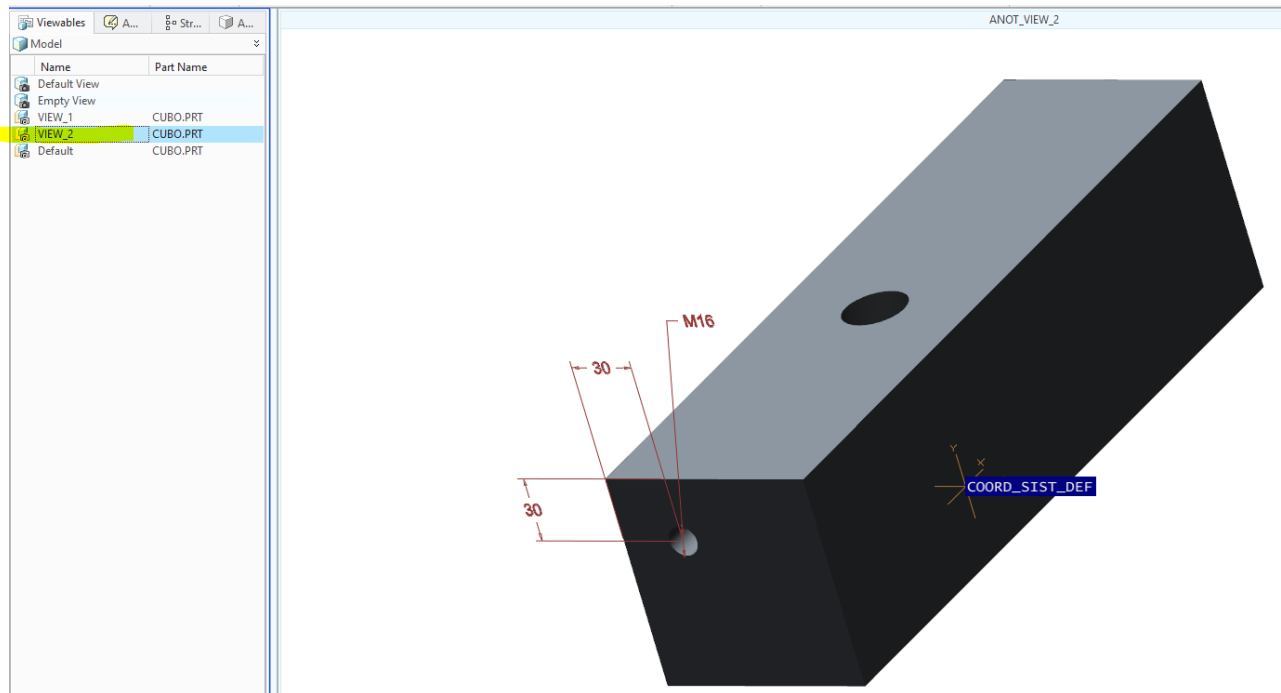


The Annotation Set ANOT_VIEW_2 doesn't have any note.

If we go from the Annotation Set ANOT_VIEW_1 to the viewable VIEW_2 (or VIEW_1) the Note remains in the screen.



If we go first from the Annotation Set ANOT_VIEW_1 to ANOT_VIEW_2 and then, if we go to the viewable VIEW_1, the note is not in the screen.



The note added in the Annotation Set should never be shown in any viewable.