

Model Tree

Model Tree

- ASM0002.ASM
  - Annotations
    - A\_CS\_0
    - ADTM1
    - ADTM2
    - ADTM3
    - COG
  - ASM0001.ASM
  - ASM0001.ASM

Drag

Snapshots

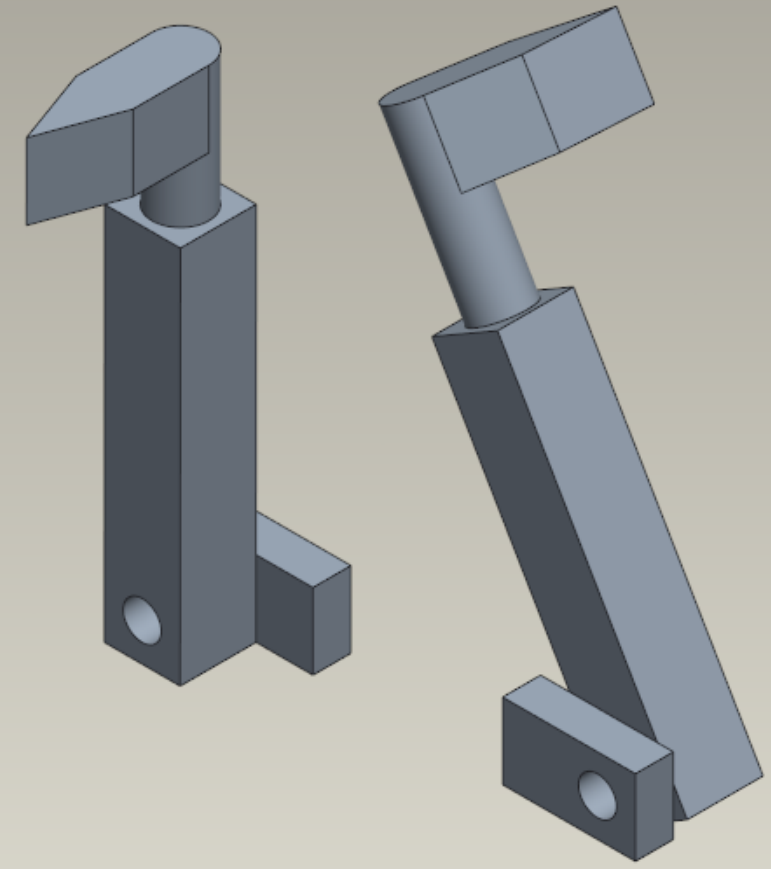
Current Snapshot

Snapshots Constraints

- Snapshot1
- Snapshot2
- Snapshot3
- Snapshot4
- Snapshot5
- Snapshot6
- Snapshot7
- Snapshot8
- Snapshot9

Close

All those snapshots shall have the same constraints, but the values shall be updated to match that sequence.



Model Tree

Model Tree

- ASM0002.ASM
  - Annotations
    - A\_CS\_0
    - ADTM1
    - ADTM2
    - ADTM3
    - COG
  - ASM0001.ASM
  - ASM0001.ASM

Drag

Snapshots

Current Snapshot

Snapshot1

Snapshots Constraints

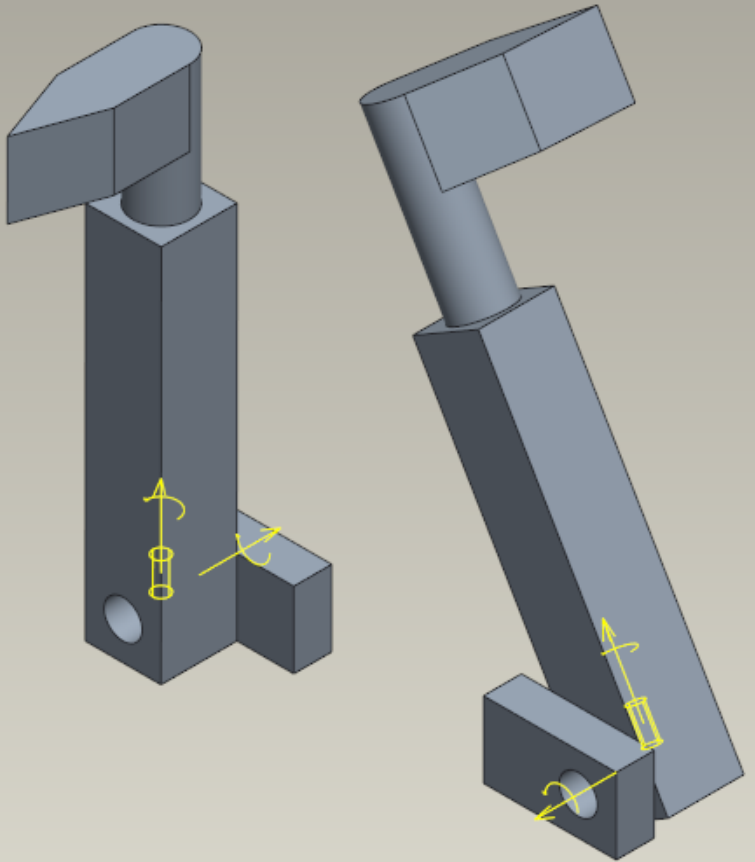
- C67(ASM0001):Connection\_1.axis\_1 Axis Position
- C67(ASM0001):Connection\_2.axis\_1 Axis Position
- C67(ASM0001):Connection\_2.axis\_2 Axis Position
- C68(ASM0001):Connection\_1.axis\_1 Axis Position
- C68(ASM0001):Connection\_2.axis\_1 Axis Position
- C68(ASM0001):Connection\_2.axis\_2 Axis Position

Value

0 mm

Close

All the constraints need to match that sequence.



Select a motion axis

Select

Select 1 item.

OK Cancel