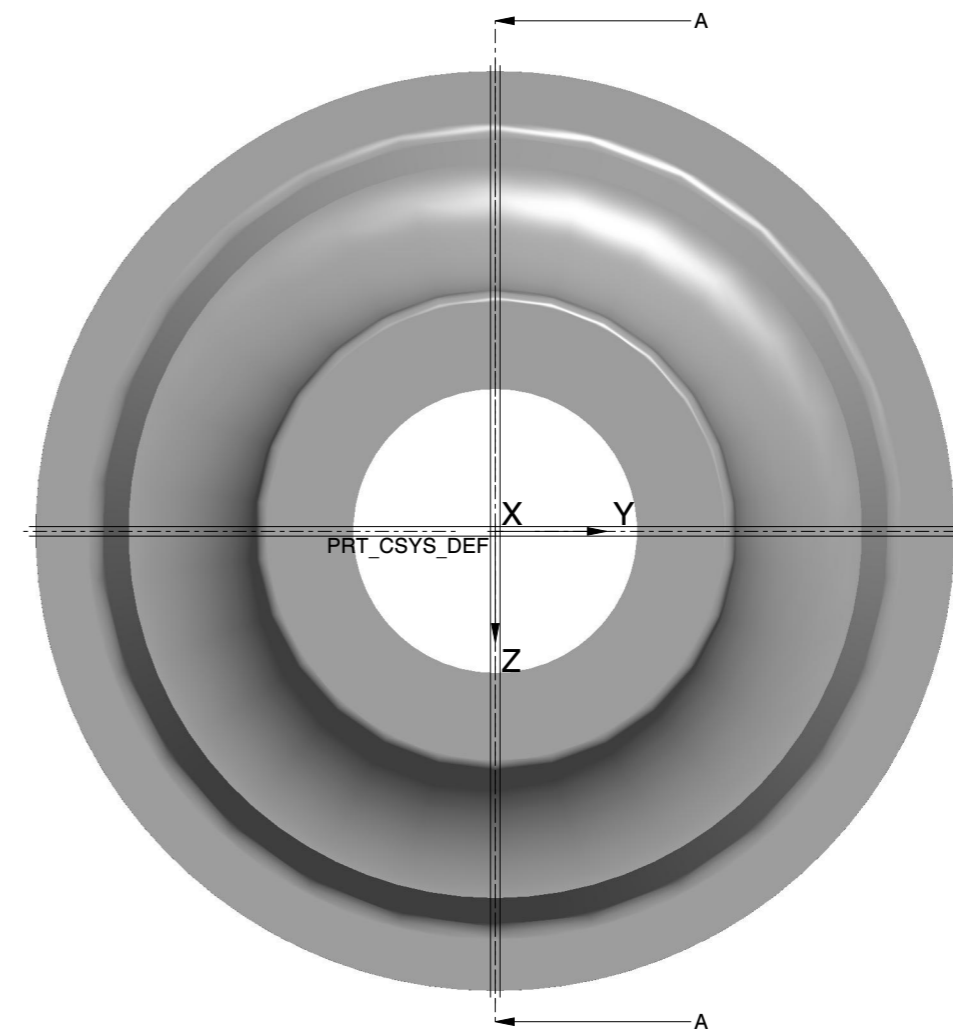
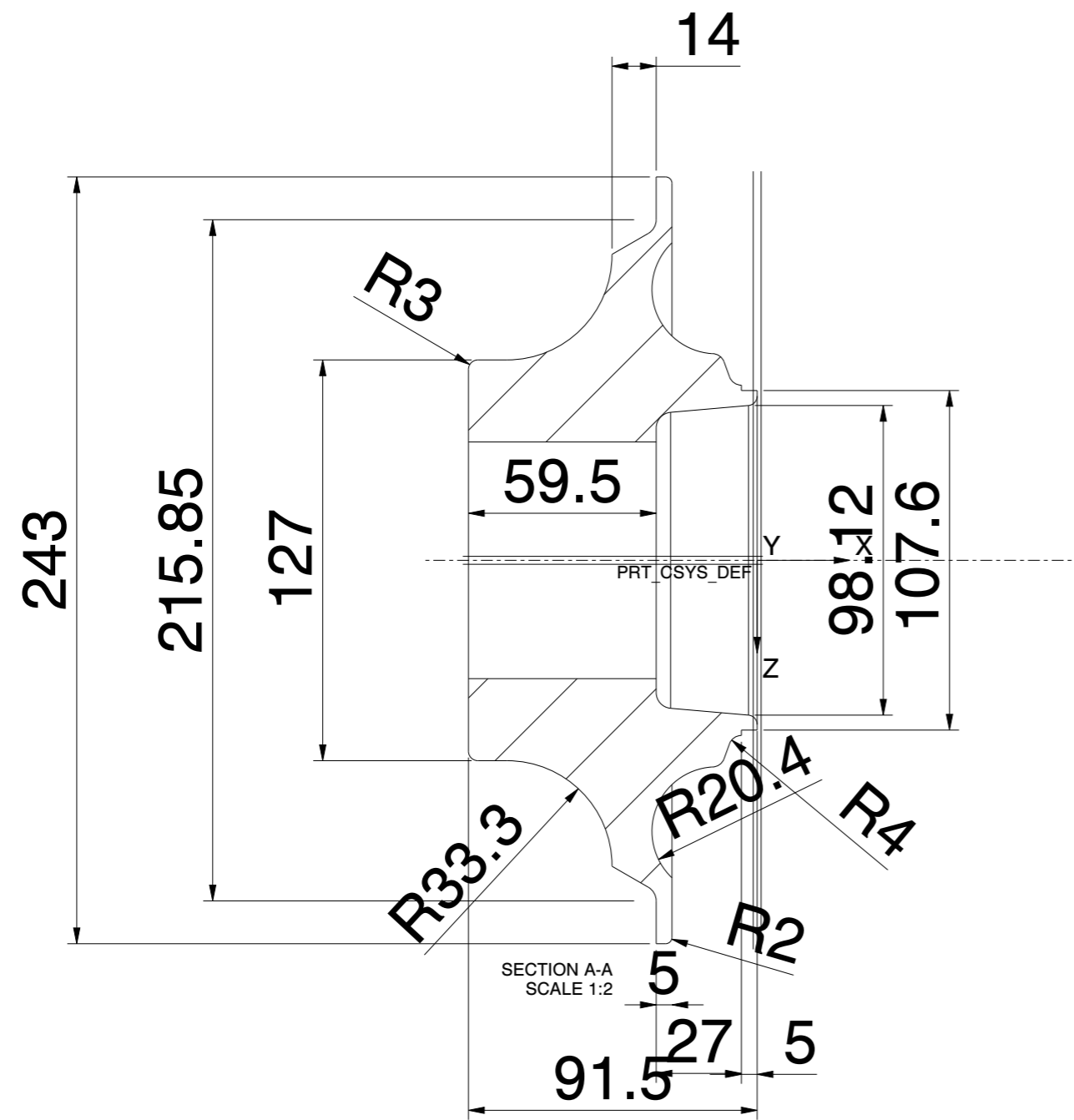


Do not scale the drg.	All dim in mm.	Nominal Dim	Tolerance in μm
If in doubt, Ask			



Over	-	6	30	120	400	1000	2000	Surface roughness symbols and values as per IS:10719.
Dim Upto & incl.	6	30	120	400	1000	2000	4000	value
Tolerance	± 0.1	± 0.2	± 0.3	± 0.5	± 0.8	± 1.2	± 2	symbol

Machining Deviation as per medium class to ISO 2768/IS:2102

Classification of characteristics:									
Critical, Key Instruction									
Major, (None) Minor									
Applies to upper limit									
Applies to lower limits		Date	Mod. No.	Zone	Modification			Chkd	Appd
Material Description, Size, Spec. Std. No.		SIGN		DATE	Tol. as per Std.				
		DRN			Standard References.				
Product/Group.		CHKD			Replaces Drg.				
		APPD			Reference Drg. No.				
Stage.		Scale: 3:10			Opp. Hand Drg./ Pt. No.				
		Fin. mass in kg			Surface protection as per Std.				
Drg./Part Designation		[.3]							
		Drg./Part No.							
		Size of sheet...A3/Sheet No...1... of ...1... Sheets							