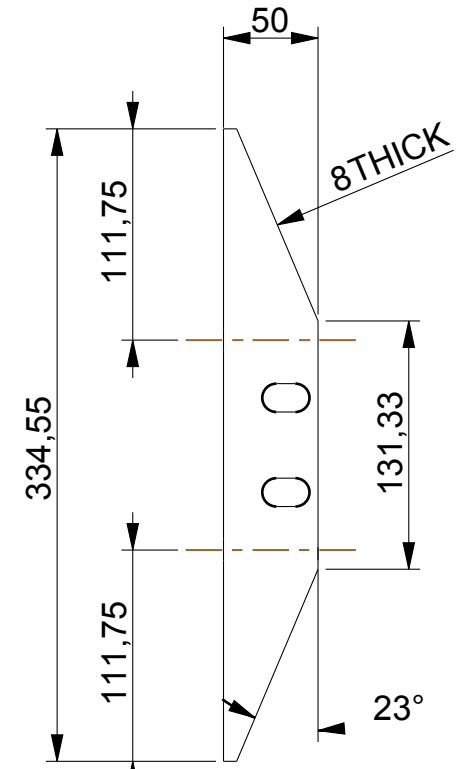
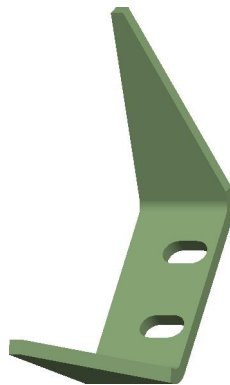


Ontvouwing



SCALE 0,250



SCALE 0,250

vals-chassis-rev POS 11

St Deviation		Scale	Area	0,000 m ²	Weight	0,682 kg
		0,500	QST380			
Drawn	Date	Name	Title			
Checked	25-May-10	Chris	BEVESTHOEK_RK			
Norm						
Spec Designation						
			Number	BEVESTHOEK_RK		Sheet
					1	
Origin			Replaces	Changed By		
					Tot = 1	