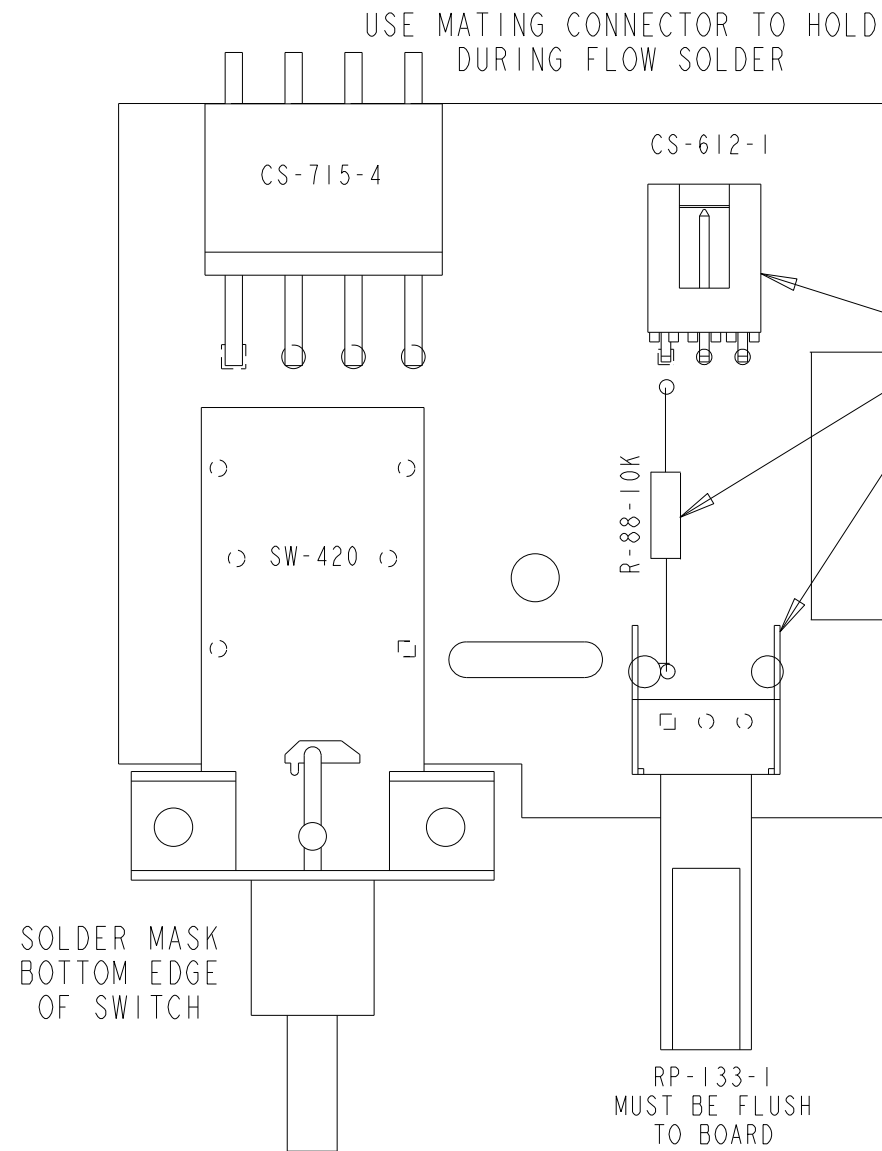


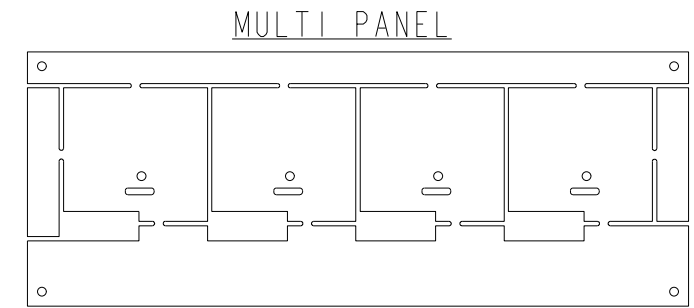
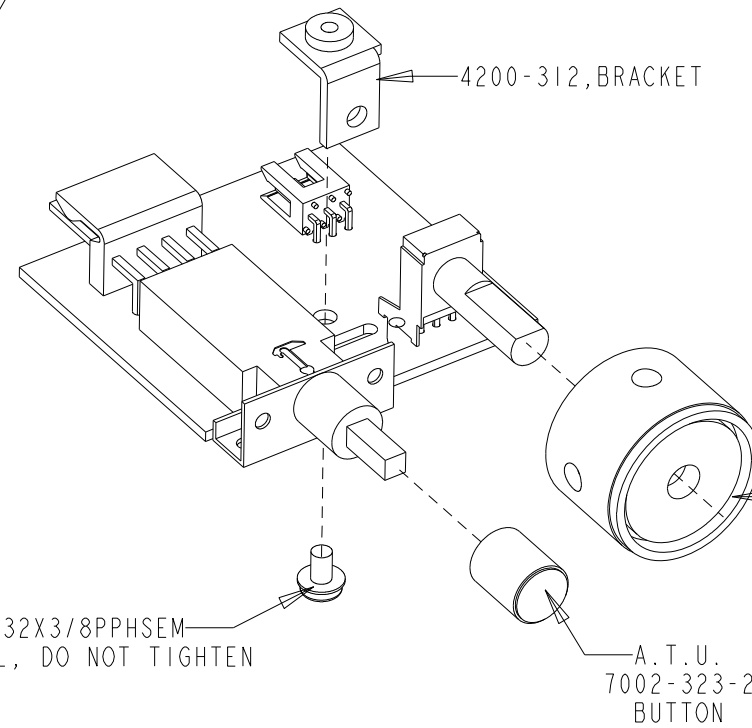
Uly	HFD#Q r1	UlyVlrq	Dssuryd	G dwh
I8	7;865	Vh#HFD#Iru#F kdqjh#qinp dwhq	UNurss	3 ;QR fw05



INSTALL ON MODEL 4200-210-1 ONLY

MC-612, BAR CODE LABEL

AFTER TOUCH-UP



F5 Q rwh  
VZ 0753 #F xw#S lq#9#S dv,#Wrs#V lq#I oxk#W r#S dw  
Vz l#k#P X VW#Od#F rp swh#I ow#R q#F#Er dug  
D i#I oz#V rghu

A.F.S. - AFTER FLOW SOLDER  
A.T.U. = AFTER TOUCH-UP, INSTALL PART

753 3 0543 05#  
753 3 0543 04  
P rgho

Sdw#P djhv#P d|#G lhu#I urp #D fwcd#S dw#D sshduqfh

G r#Q rwh#V fdb#W k#G udz lqj	G p hqvrgd#W rdukyflw X qdv#R whz l#W/shflng	G dwh= 3 ;QR fw05	V fdb= 54	W l#d#=# ###Vz l#k#E rdug#F rp srqhw#D whp ed
<b>KEITHLEY</b> Keithley Instruments Inc. Cleveland, Ohio 44139 CONFIDENTIAL PROPRIETARY	[[# # ±B 48 Dqj d# ±4° [[# # ±B 3 8 Iudfwrg# ±4297	G udz q#E = P dW	Dssuryd= OV	E QR1 753 3 03 54 #####Kw#4R #1
	Vxuid#P d{1 96	#####K=		