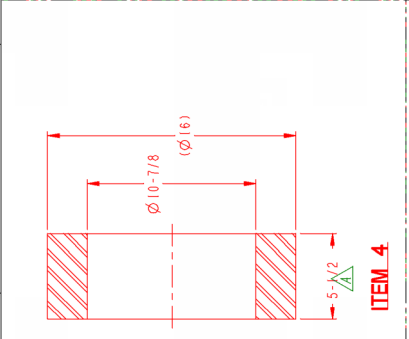
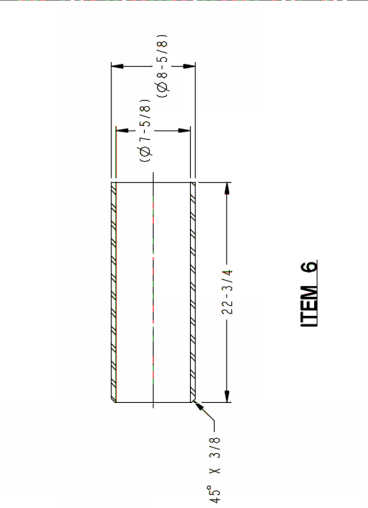


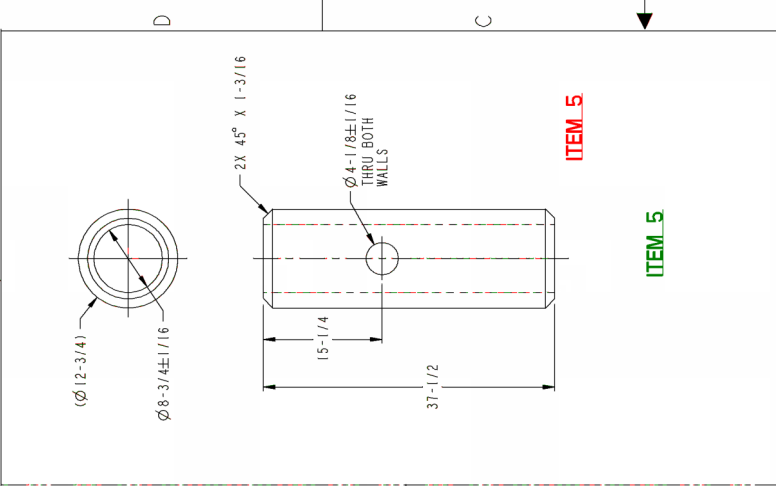
**ITEM 3**



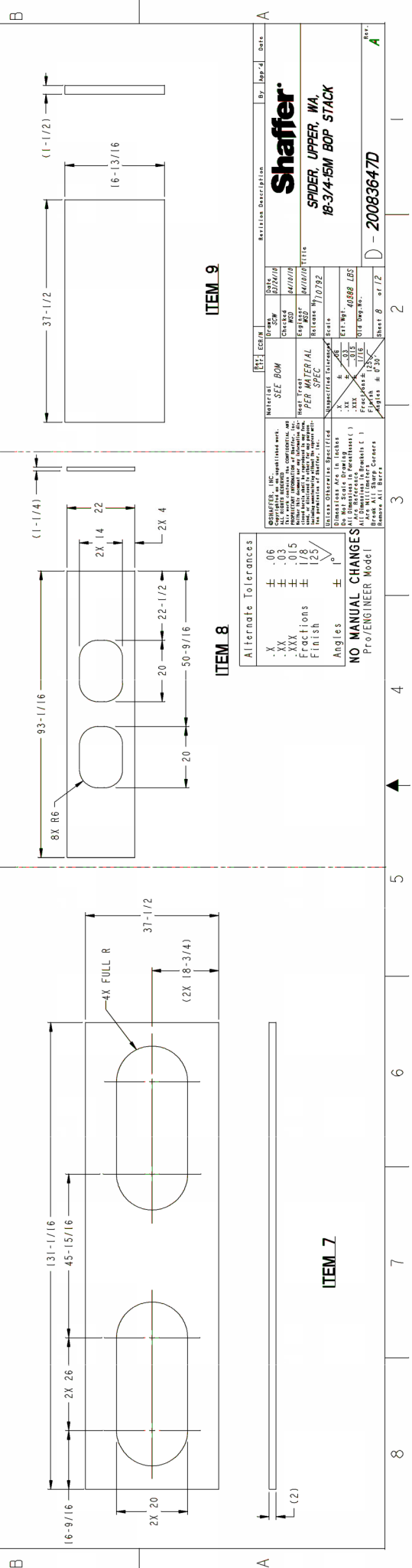
**ITEM 4**



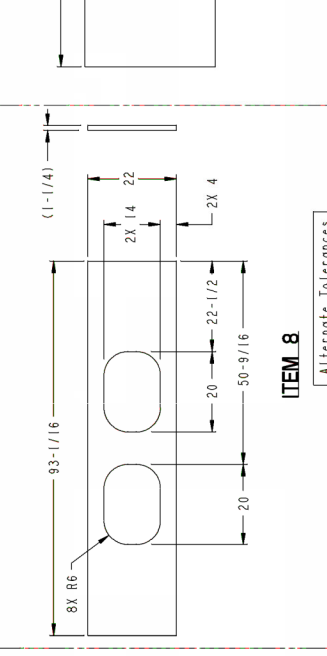
**ITEM 6**



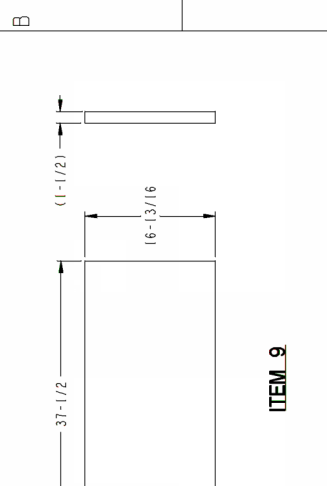
**ITEM 5**



**ITEM 7**



**ITEM 8**



**ITEM 9**

**Alternate Tolerances**

.X	± .06
.XX	± .03
.XXX	± .015
Fractions	± 1/8
Finish	± 125
Angles	± 1°

**NO MANUAL CHANGES**  
Pro/ENGINEER Model

SHAFFER, INC.	DATE: 07/24/10
DESIGNED BY: JMD	CHECKED BY: JMD
DATE: 07/24/10	DATE: 07/24/10
PROJECT: PER MATERIAL	REVISED BY: JMD
DESCRIPTION: PER SPEC	RELEASE BY: JMD
UNLESS OTHERWISE SPECIFIED	SCALE: 1:1
ALL DIMENSIONS ARE IN INCHES	EST. WGT: 4088 LBS
ALL DIMENSIONS ARE TO CENTER UNLESS NOTED OTHERWISE	PRO/ENGINEER
ALL DIMENSIONS ARE TO CORNERS UNLESS NOTED OTHERWISE	PRO/ENGINEER

**Shaffer**  
SPIDER, UPPER, WA,  
18-3/4-ISM BOP STACK

Revision Description: \_\_\_\_\_  
By: JMD Date: \_\_\_\_\_

Sheet 8 of 12

D - 20083647D