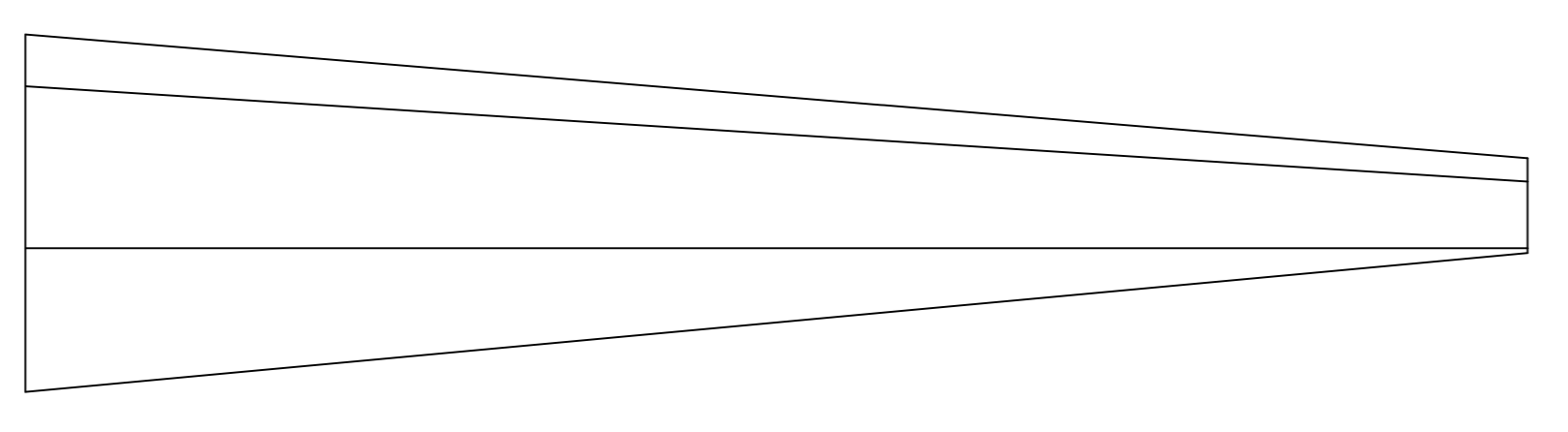
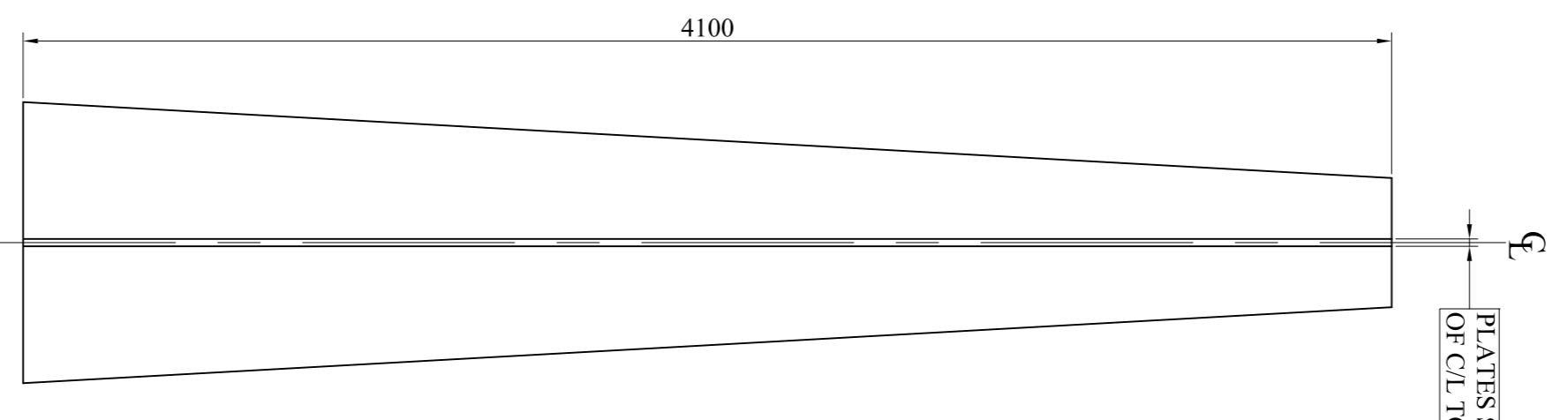


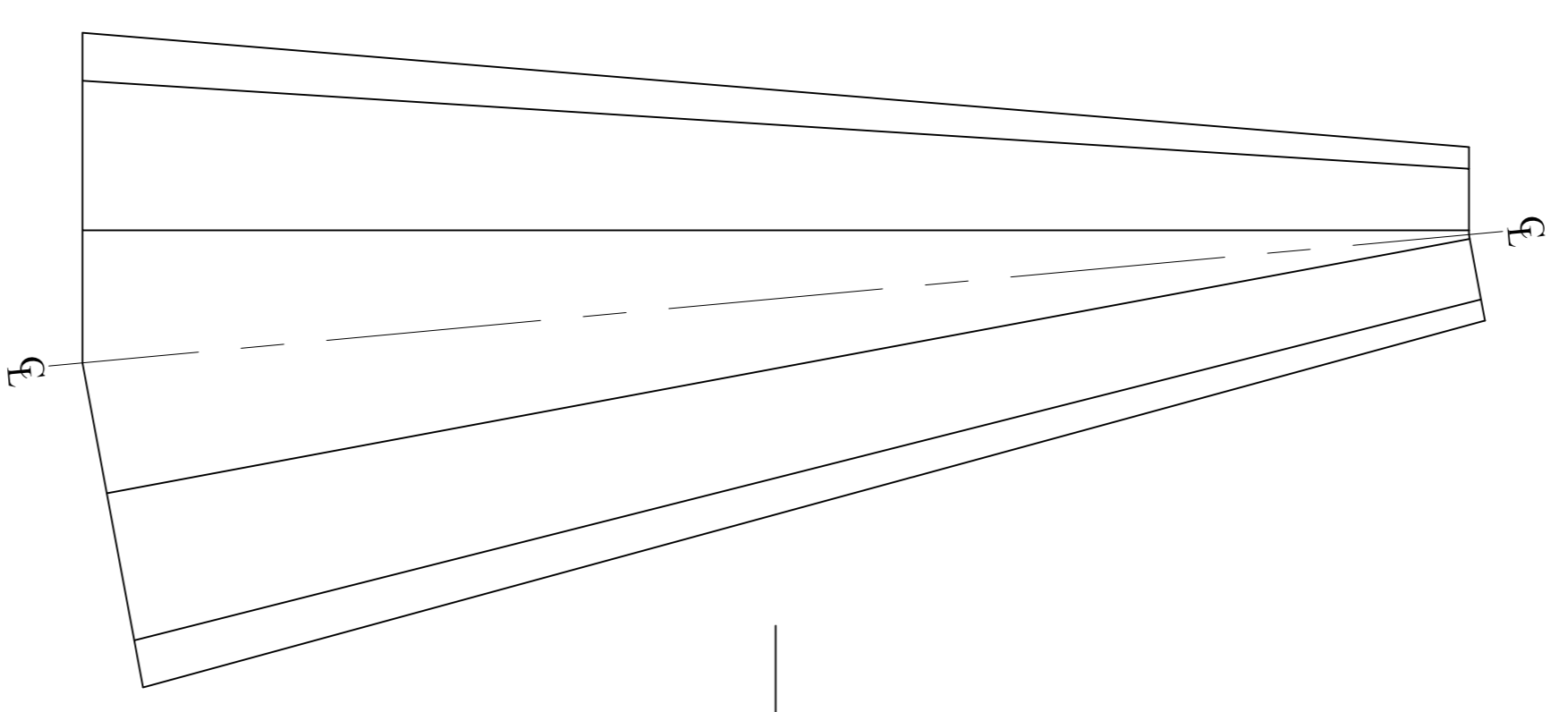
PLAN VIEW



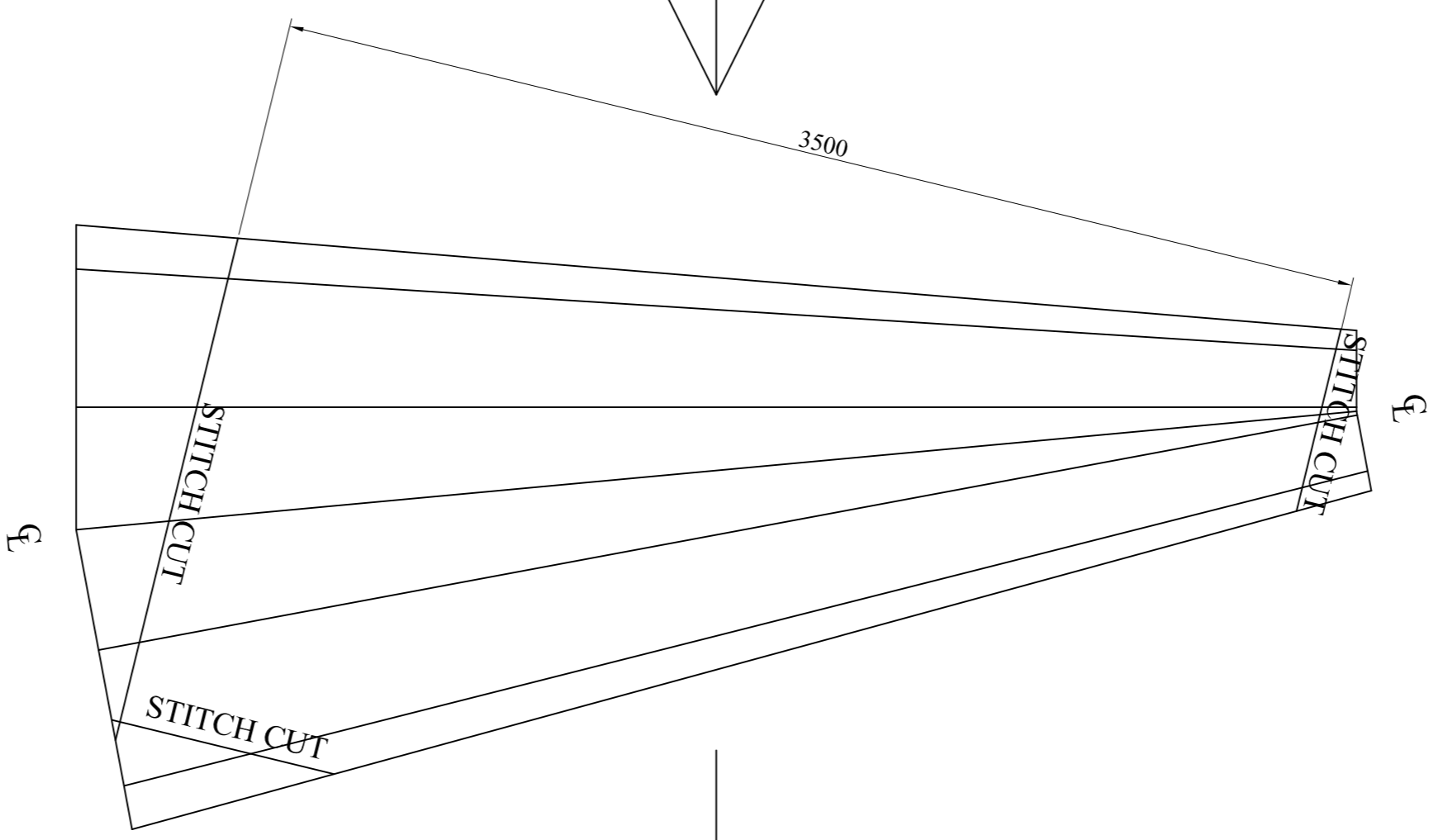
SIDE ELEVATION



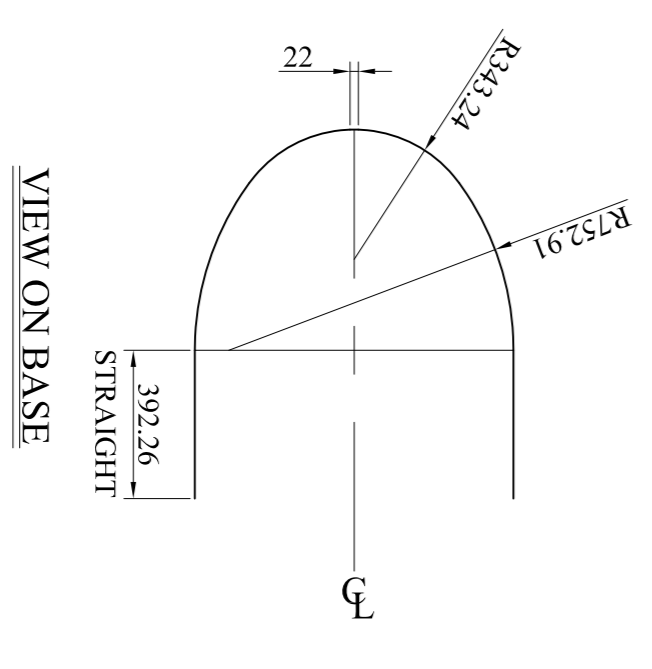
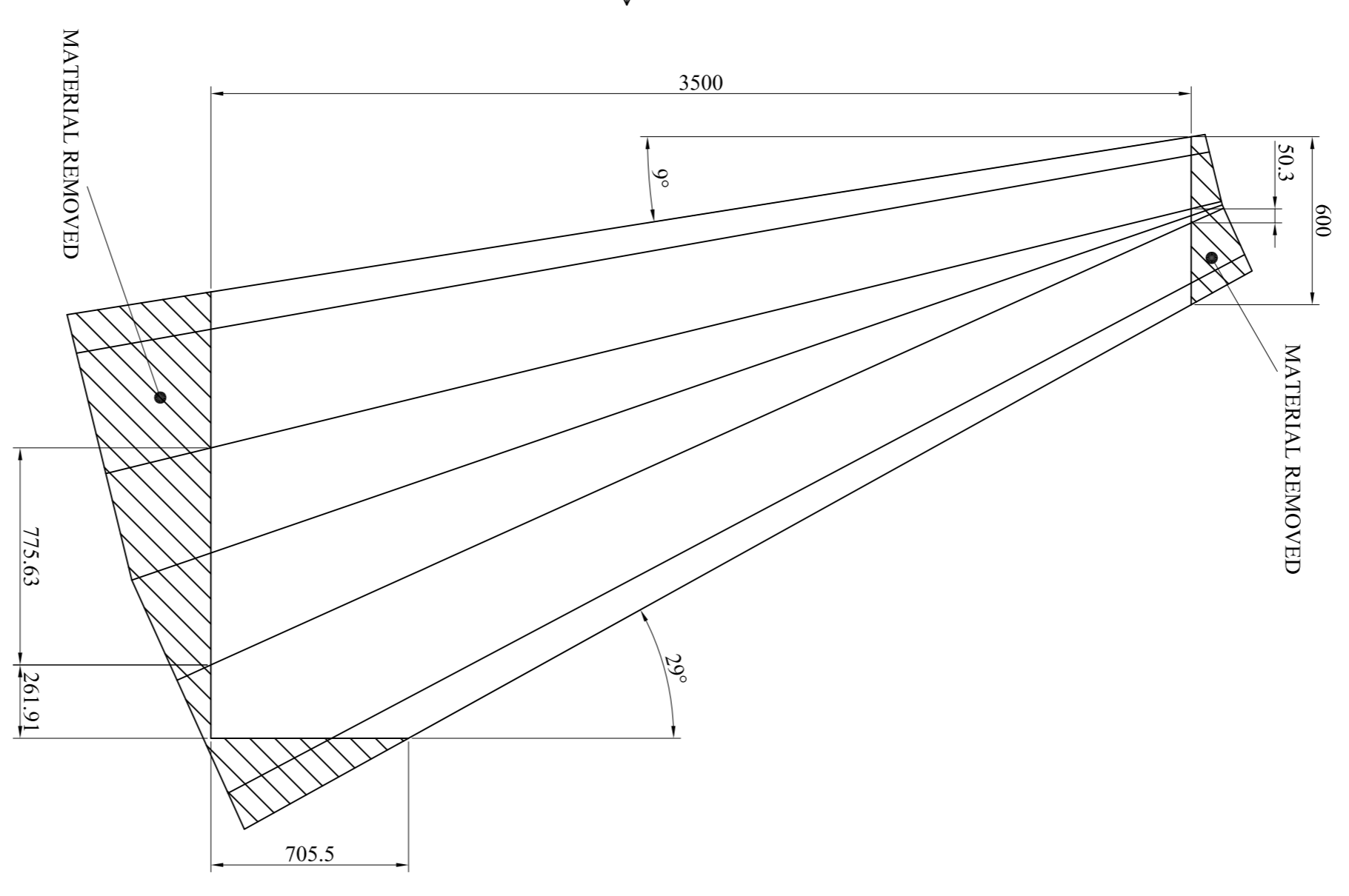
END ELEVATION



PLATES SYMMETRICAL ABOUT C/L



PLATES SYMMETRICAL ABOUT C/L



VIEW ON BASE

PLATES SYMMETRICAL ABOUT C/L