

CREO PARAMETRIC 4.0

SNEAK PEEK

WHAT'S NEW IN MBD

Raphael Nascimento
Product Manager

9 June, 2016



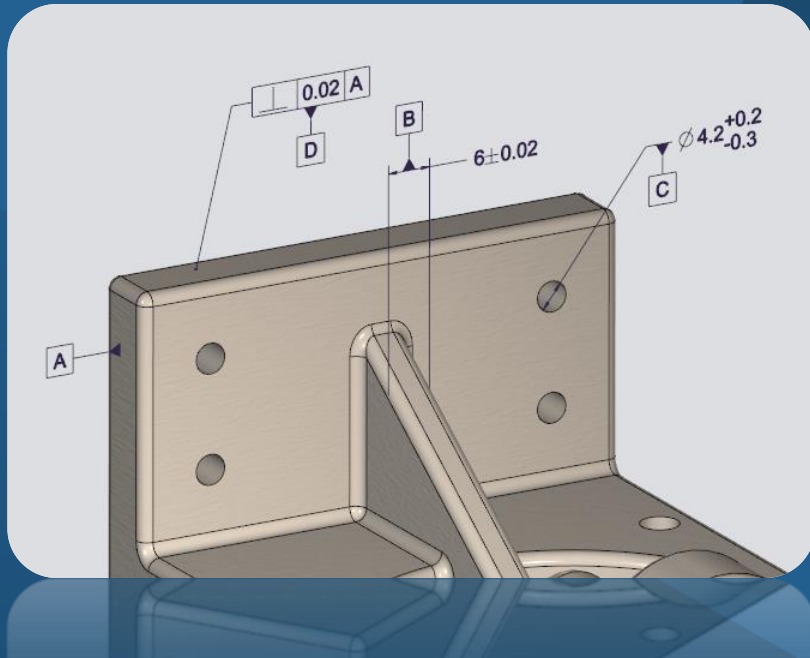
ptc

1

DATUM FEATURE SYMBOL ENHANCEMENTS

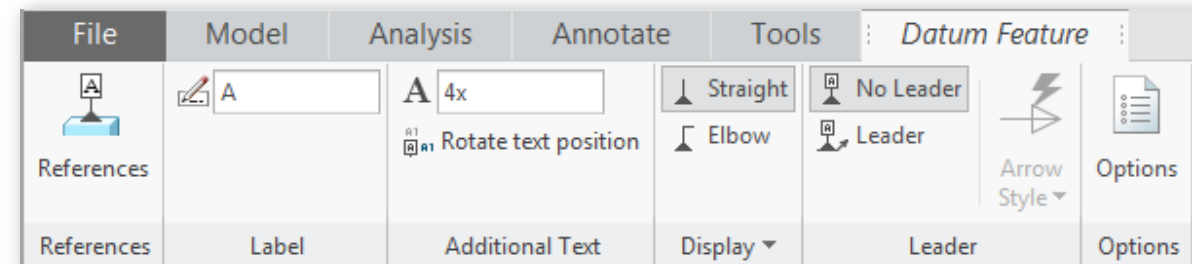
QUICKLY CREATE STANDARDS-COMPLIANT DATUM FEATURE SYMBOLS

CREATION AND EDITING
AUTOMATIC NAMING
SEMANTIC REFERENCES
ADDITIONAL TEXT



CREO 4.0 DATUM FEATURE SYMBOL ENHANCEMENTS

- Creation and editing
 - Placement workflow – immediate preview
 - Placement options
 - Contextual ribbon for editing properties
- Automatic naming
 - Automatically names the datum feature to the next available name in sequence (A, B, C...)
- Semantic references
 - Maintain reference to geometry
 - No separate plane or axis needed
- Additional text
 - Additional text placed adjacent to the symbol
 - Supports standards



QUICKLY CREATE STANDARDS-COMPLIANT DATUM FEATURE SYMBOLS

CREATION AND EDITING AUTOMATIC NAMING SEMANTIC REFERENCES ADDITIONAL TEXT

Benefits

- Save time by quickly creating and editing datum feature annotations
- Conform to latest GD&T standards

INTUITIVE CREATION AND EDITING WORKFLOWS

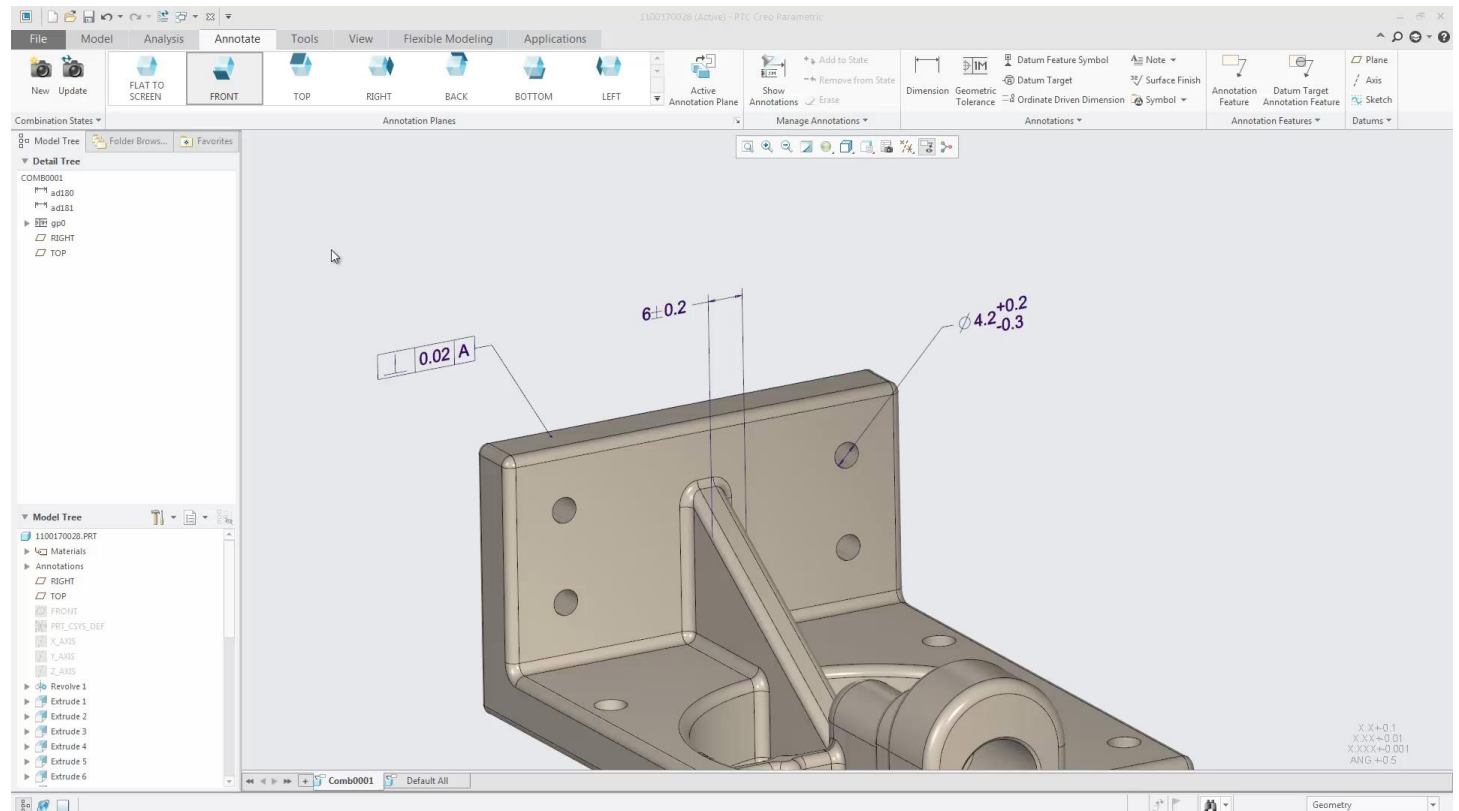


Immediate preview of datum feature symbol on creation

- Drag to place the symbol
- Multiple standards-based placement options

Contextual ribbon tab for editing properties of the datum feature symbol

- Opens and closes on selection



QUICKLY CREATE STANDARDS-COMPLIANT DATUM FEATURE SYMBOLS

CREATION AND EDITING AUTOMATIC NAMING SEMANTIC REFERENCES ADDITIONAL TEXT

Benefits

- Save time by not having to keep track of the next name in the sequence
- Comply with GD&T standards

AUTOMATIC NAMING OF DATUM FEATURE SYMBOLS

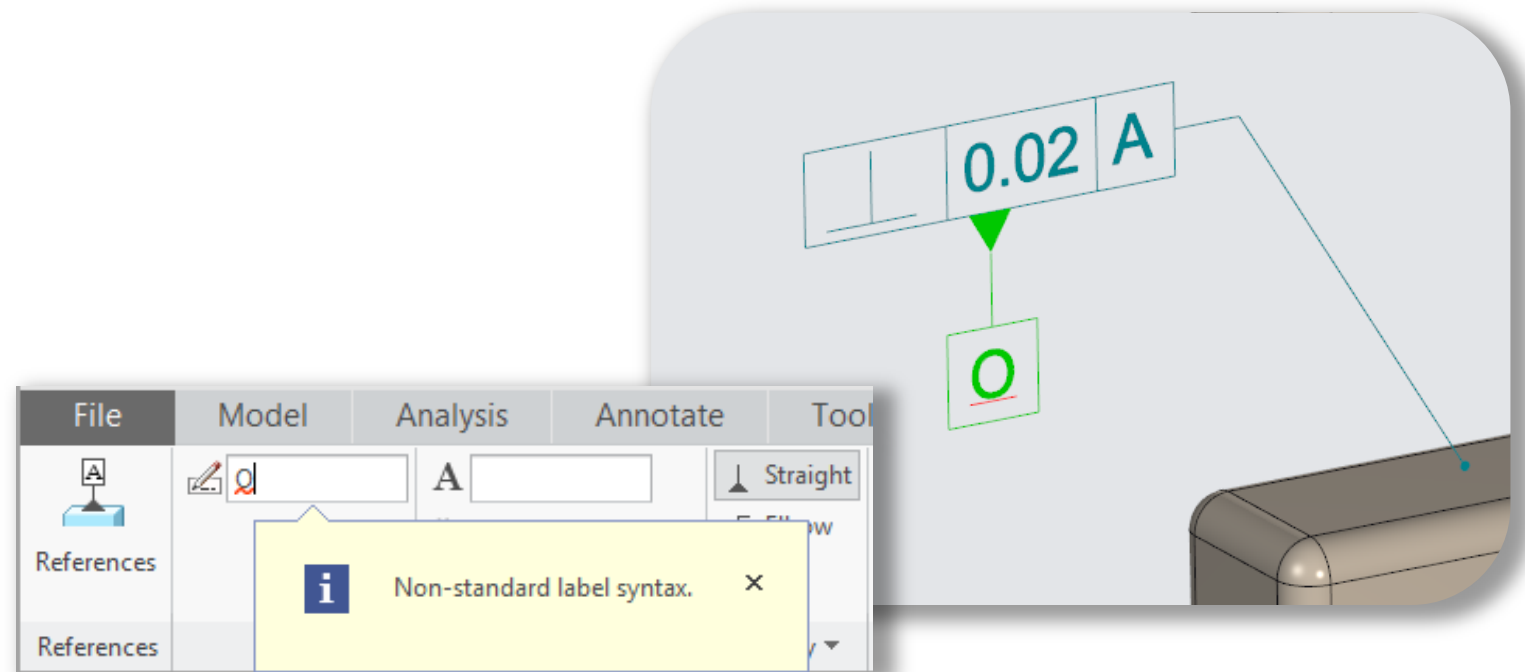


Automatically take the next available name in the standard sequence (A, B, C, ...)

- Fills a gap if datum name is missing in the sequence
- User can still modify names as needed

Syntax-checking of names following ASME Y14.5 standard

- Non-standard names are identified in the UI and graphics



QUICKLY CREATE STANDARDS-COMPLIANT DATUM FEATURE SYMBOLS

CREATION AND EDITING
AUTOMATIC NAMING
SEMANTIC REFERENCES
ADDITIONAL TEXT

Benefits

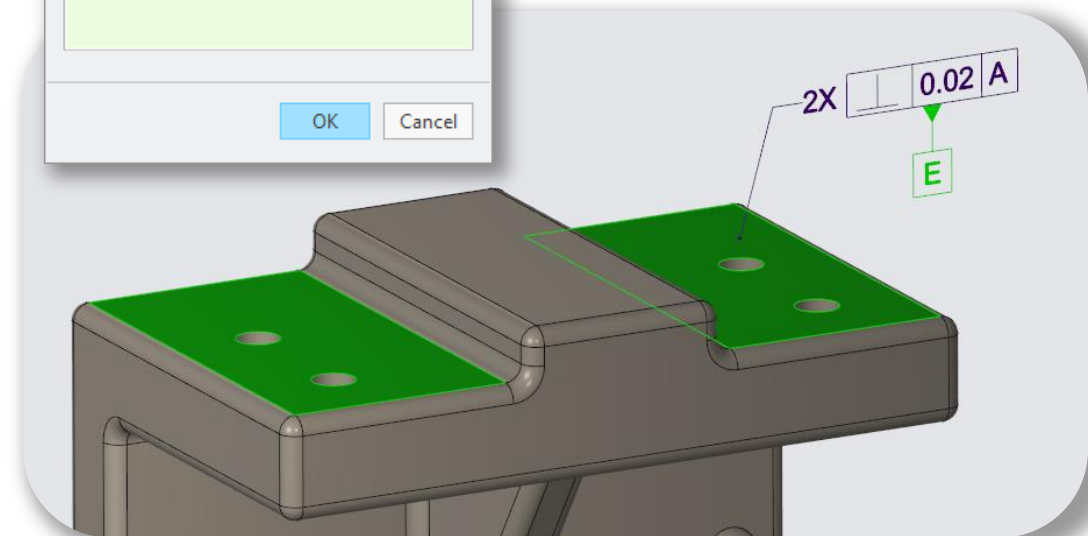
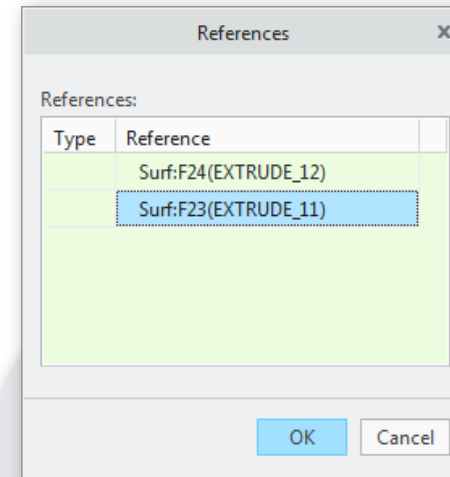
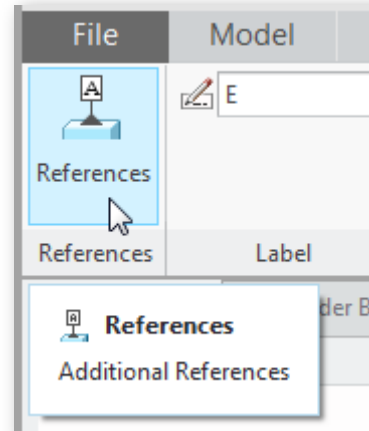
- Facilitate machine-readable GD&T for downstream use
- Provide proper query-response behavior
- Conform to GD&T standards

SPECIFY FULLY SEMANTIC REFERENCES



References collector in the datum feature ribbon
– Can add model surfaces as semantic references

Datum feature symbol is a standalone annotation
– Does not require a plane or axis in the model



QUICKLY CREATE STANDARDS-COMPLIANT DATUM FEATURE SYMBOLS

CREATION AND EDITING
AUTOMATIC NAMING
SEMANTIC REFERENCES
ADDITIONAL TEXT

Benefits

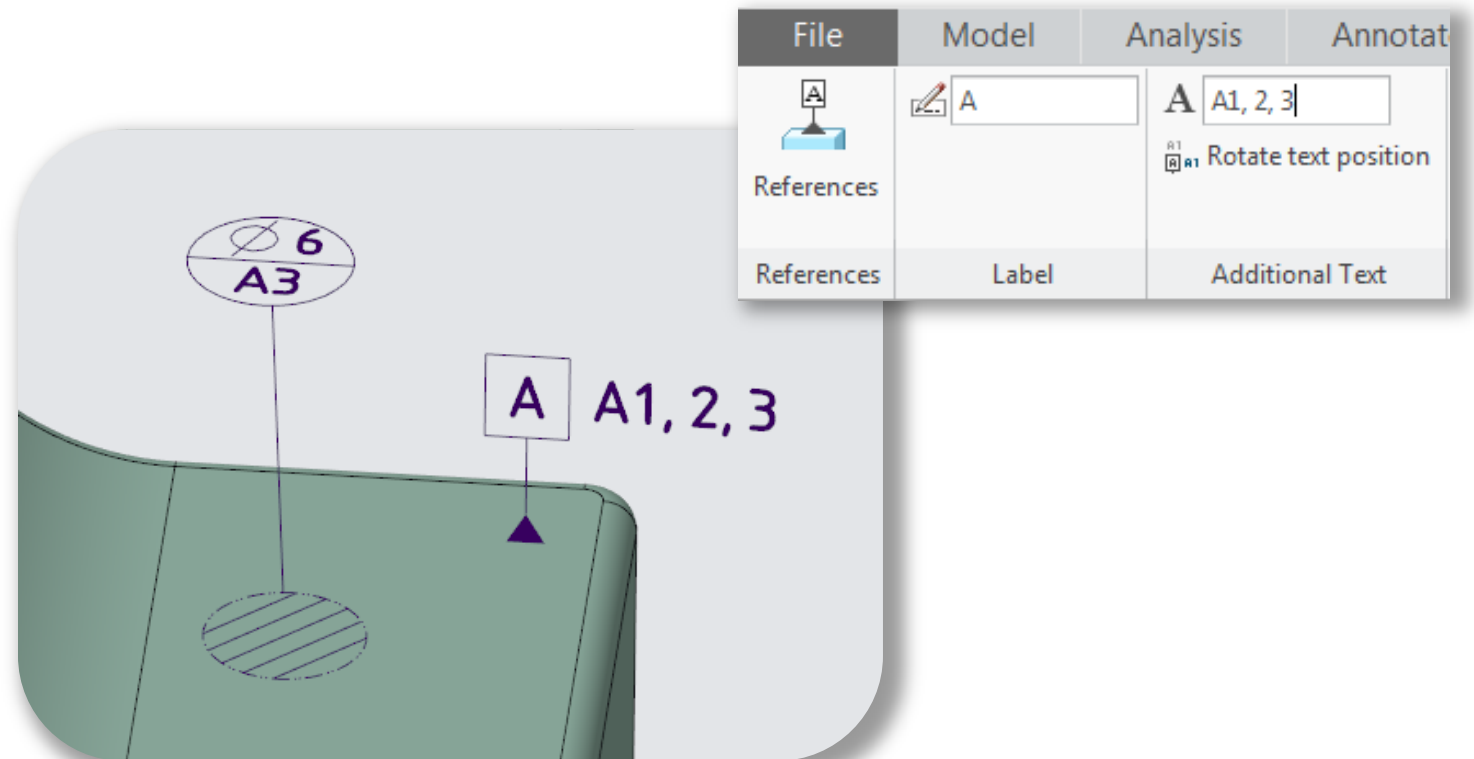
- Conform to GD&T standards
- Save time and avoid cumbersome workarounds

SPECIFY ADDITIONAL TEXT NEAR DATUM FEATURE SYMBOL



Text input box in datum feature symbol ribbon
– User can type any desired text

Ability to rotate text to desired position near the symbol
– Text will move with datum feature symbol





ptc